



CONCORDIA
BEVERAGE SYSTEMS



Integra

CALIBRATED TO DELICIOUS

The Integra is ideal for low- to medium-volume self-service operations, or as a backup for high-volume venues. With one simple, compact system you can serve espresso, lattes, cappuccinos, mochas, hot chocolate, iced drinks and more—up to 250 drink combinations—at the push of a button.

INTEGRA 0: Our standard model, which makes hot and iced espresso drinks. Includes two bean grinders and a built-in refrigerator that holds a standard one-gallon milk container.

INTEGRA 1: All the standard features, plus an additional flavor option that makes hot chocolate and mocha, both hot and iced.

INTEGRA 4: Adds four additional flavor options (chocolate, vanilla, caramel, and chai) to make up to 250 drink combinations.



The proof is in the cup.

The Integra brews consistently high-quality drinks like you'd get from a well-trained barista. Our patented **EspressJet™ Flavor System** infuses syrups directly into the milk, and everything can be programmed to your specifications—including grind, extraction, temperature, volume, and flavor profile.



Focus on your customers, not your equipment.

The simple touchpad makes it easy for anyone to get barista-quality results the first time in both attended and self-serve locations. With this self-service capability, training becomes a non-issue. Maintenance is simple and efficient as well, thanks to an automated cleaning process that takes only 10 minutes a day.



Fewer problems. Faster solutions.

We minimize issues with a simple cleaning process that reduces human error and keeps the machine running smoothly. Should anything go wrong with your machine, our tech support line and local service agents will get you up and running within 24 hours in most cases, and many issues can be resolved right over the phone.

You've got options.



STEAM WAND

For locations with an attendant, the optional steam wand adds a personalized touch and the ability to provide additional customization for customer requests.



VENDING

Our transaction system can accommodate both credit and debit cards with real-time authorization.



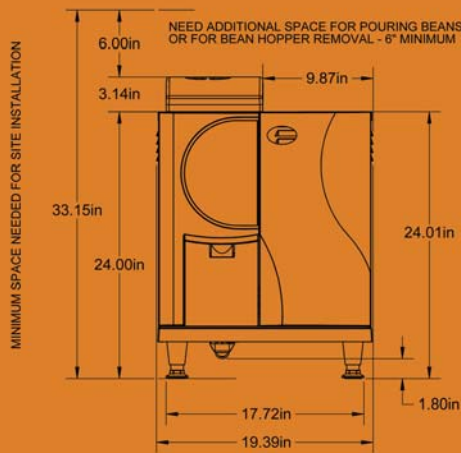
PUT YOUR BRAND IN THE SPOTLIGHT

You've invested a lot in building trust in your brand. Put that trust to work with a customized Concordia machine that represents you. There's an infinite number of ways we can create a customized brand look for your machine.

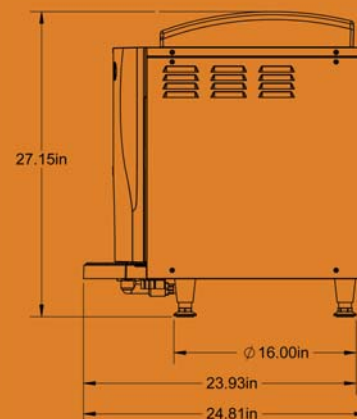
SPECIFICATIONS

Dimensions	19.4" W x 24.8" D x 27.1" H 493 mm W x 630 mm D x 688 mm H
Weight	200 lb net / 91 kg net
Electric	200-240 VAC, 30 Amp dedicated circuit
Water	Min 30 psi, Max 100 psi, 25 gal per/hr flow
Drain	3/4" indirect drain

FRONT VIEW



LEFT SIDE VIEW



PRECISION ENGINEERING MEETS PURE COFFEE OBSESSION

Here in the Northwest, we're known for a couple of things: innovative technology and an enthusiasm for coffee that borders on obsession. Try one of our machines. You'll see our passion for coffee and innovation in their reliability and simplicity, and of course, the great taste of a Concordia-brewed beverage.

1 800 995 9019 concordiacoffee.com

