

Project: _____	AIA# _____
Item #: _____ Qty: _____	SIS# _____
Model #: _____	

## Island Oasis Stand

IOS-18



IOS-18



**Intertek**  
 4004503  
 Conforms to ANSI/NSF STD 2

### Standard Features

- All stainless steel construction
- Adjustable stainless steel bullet feet
- 1" deep drain pan work surface to capture excess moisture
- One piece, seamless top and backsplash featuring 1/4" radius corners for easy cleaning
- Lowered work surface with extended front
- Designed to keep the majority of the Island Oasis® (model #SB-3X) below the bar top with only the clear plastic ice tub visible above the bar top
- Chamfered front to eliminate "knee knockers"

### Specifications

#### Drain

- 1-1/2" I.P.S. threaded drain will fit Dearborn part #8033 slipnut and part #W-573P washer

#### Legs

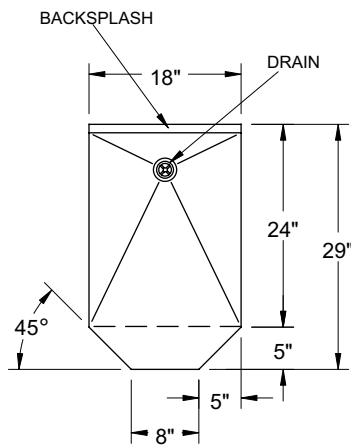
- 1-5/8" diameter, 16 gauge stainless steel
- Stainless steel bullet feet

#### Materials

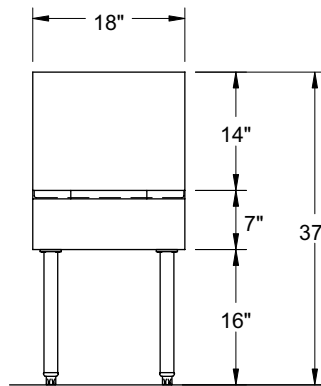
- 20 gauge stainless steel

To view underbar installation instructions, please visit: [http://www.glastender.com/PDF/F-750-165\\_Underbar\\_Installation\\_Instructions.pdf](http://www.glastender.com/PDF/F-750-165_Underbar_Installation_Instructions.pdf)  
 To view cleaning and care instructions, please visit: [http://www.glastender.com/PDF/F-423-011\\_ss\\_clean\\_care.pdf](http://www.glastender.com/PDF/F-423-011_ss_clean_care.pdf)

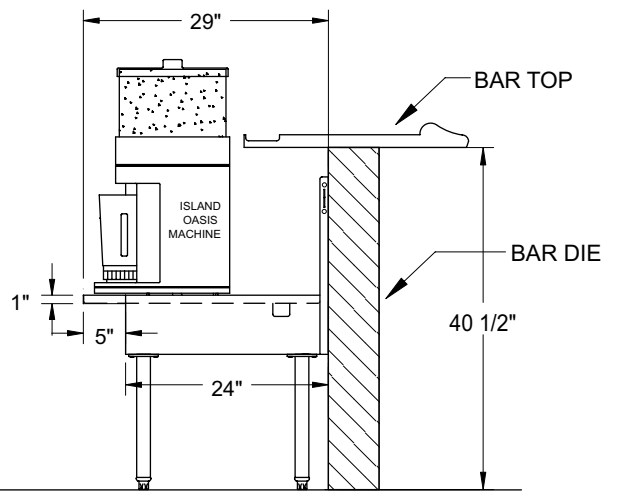
### Dimensional Information



PLAN VIEW



FRONT ELEVATION



SIDE ELEVATION

Glastender, Inc. • 5400 North Michigan Road • Saginaw, MI • 48604-9780  
 989.752.4275 • 800.748.0423 • Fax 989.752.4444  
[www.glastender.com](http://www.glastender.com)

Approval/Notes:

Specifications subject to change without notice. For current specifications please visit our website.