



IS 8 X - HORIZONTAL DESIGN



IS 12 VX - VERTICAL DESIGN



IS 16 X - HORIZONTAL DESIGN

Sausage stuffers, manual



IS 16 X

IS 8 X

- Manual sausage stuffers made completely of stainless steel
- Hardened steel gears sliding on material plastic bushings, piston rack sliding on heavy-duty material plastic bushings to withstand the pressure of the hardest sausages
- 2-speed gear drive
- A three (3) polyethylene funnel set 3/8" - 5/8" - 1" comes standard
- Easy and fast breakdown for cleaning
- The vertical model IS 12 VX features a no-spillage lock pin to conveniently load the product without removing the cylinder

Features

Technical

- Complete stainless steel construction.
- Stainless steel 18/10 cylinder with no edge inside and no weld rests.
- Hardened steel gears sliding on bearings.
- System of forward-backward feeding with two speeds.
- The piston valve allows excess air to escape and closes when the piston touches the meat.

Sanitary

- Can be completely disassembled for an easy and accurate cleaning



IS 12 VX



Funnel storage



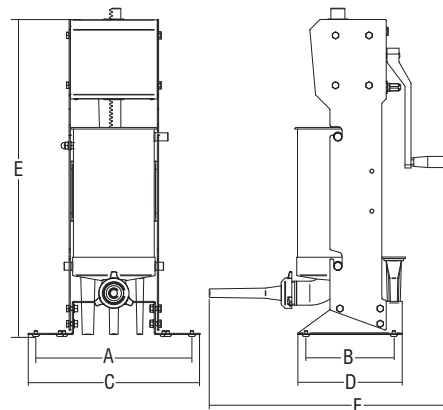
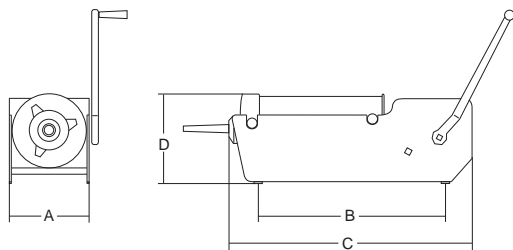
Tilt-cylinder with no-spillage lock pin



Product loading without removing cylinder



Easy cleaning



	Cylinder capacity	Cylinder length	Cylinder diameter	Piston stroke	Funnel diameter	A	B	C	D	E	F	Net weight	Shipping	Gross weight
	lbs	inch.	Ø inch.	inch.	inch.	inch.	inch.	inch.	inch.	inch.	inch.	lbs.	inch.	lbs.
IS 8 X	17	14 ^{9/16"}	6 ^{1/2"}	16 ^{9/16"}	3/8" - 3/4" - 1"	7 ^{7/8"}	16 ^{7/8"}	26"	8 ^{11/16"}	-	-	41	32" x 48" x 18"	90
IS 16 X	35	19 ^{11/16"}	7 ^{7/8"}	22 ^{1/16"}	3/8" - 3/4" - 1"	9 ^{7/16"}	22 ^{5/8"}	32 ^{5/16"}	9 ^{13/16"}	-	-	51	32" x 48" x 18"	90
IS 12 VX	25	14 ^{15/16"}	7 ^{7/8"}	16 ^{9/16"}	3/8" - 3/4" - 1"	15 ^{3/4"}	7 ^{1/2"}	17 ^{1/8"}	9 ^{13/16"}	31 ^{1/4"}	23 ^{11/16"}	52	32" x 48" x 18"	105