

# iF-300 Ice Cube Machine

iF-300 Ice Cube Machine

Models

IDF-0300A

IYF-0300A

IDF-0300W

IYF-0300W



Indigo Series iF-300 Ice Machine on D-400 Bin

Designed for operators who know that ice is critical to their business, the Indigo@NXT Series ice machine's preventative diagnostics continually monitor itself for reliable ice production. Improvements in cleanability and programmability make your ice machine easy to own and less expensive to operate.

- **Space-Saving Design** – Measures only 16.5" high (42 cm) and 30" wide (76.20 cm) allowing it to fit on top of dispensers when a low ceiling is an issue.
- **easyTouch<sup>®</sup> Display**- New icon based touch screen takes the guess work out of owning and operating an ice machine.
- **Programmable Ice Production** – Now its super easy to program your ice machine to be off at certain times of the day to save money with fluctuating electrical rates. Also programmable by daily ice production volume.
- **Easy to Clean Foodzone** – Hinged front door swings out for easy access. Removable water-trough, distribution tube, curtain, and sensing probes for fast and efficient cleaning. Select components made with AlphaSan<sup>®</sup> antimicrobial.
- **Intelligent Diagnostics** – provide 24 hour preventative maintenance and diagnostic feedback for trouble free operation.
- **Acoustical Ice Sensing Probe** – Unique patented technology allows for reliable operation in challenging water conditions and environments.
- **DuraTech<sup>™</sup> Exterior** – provides superior corrosion resistant above stainless steel. Innovative clear-coat resists fingerprints and dirt making it easier to keep clean.
- **Avaiable LuminIce II Growth Inhibitor**- Controls the growth of bacteria and yeast with the food zone keep the machine cleaner longer. A new indicator in the display keeps you abreast of the operational status.

## Ice Machine Electric

115/60/1 standard.  
(208-230/60/1 and 230/50/1 also available.)

**Minimum circuit ampacity:**

Air-cooled: 10.8  
Water-cooled: 10

**Maximum fuse size:**

15 amps 1ph



## Specifications

**BTU Per Hour:**

4,600 (average), 5,450 (peak)

**Refrigerant:**

R-404A CFC-free

**Operating Limits:**

- Ambient Temperature Range: 40 to 110 F (4.4 to 43.3 C)
- Water Temperature Range: 40 to 90 F (4.4 to 32.2 C)
- Water Pressure Ice Maker Water In: Min. 20 psi (137.9 kPa) Max. 80 psi (551.1 kPa)

## Ice Shape



**Half Dice**  
3/8" x 1 1/8" x 7/8"  
(.95 x 2.86 x 2.22 cm)



**Dice**  
7/8" x 7/8" x 7/8"  
(2.22 x 2.22 x 2.22 cm)



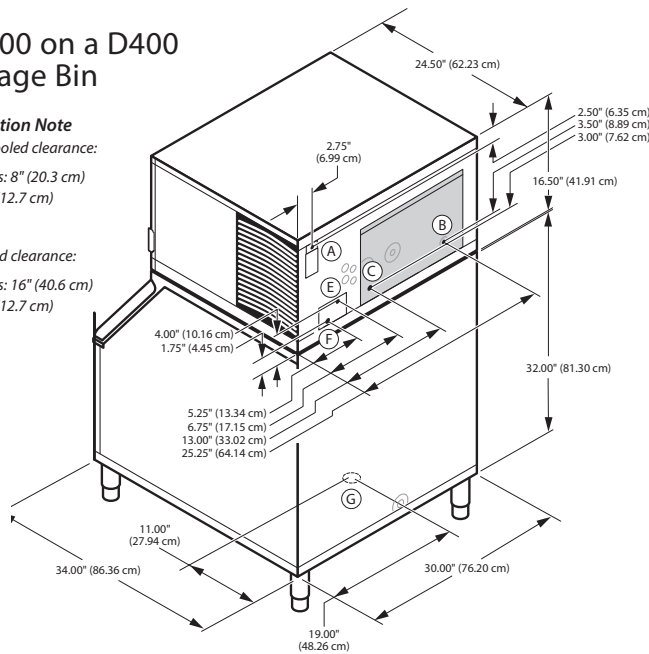
COMPANY WITH  
QUALITY SYSTEM  
CERTIFIED BY DNV  
= ISO 9001:2008 =



**iF0300 on a D400 Storage Bin**

**Installation Note**  
 Water Cooled clearance:  
 Top/Sides: 8" (20.3 cm)  
 Back: 5" (12.7 cm)

Air Cooled clearance:  
 Top/Sides: 16" (40.6 cm)  
 Back: 5" (12.7 cm)



- (A) Electrical Entrance (2) Options
- (B) 3/8" (0.95 cm) F.P.T. Water Condenser Inlet (water-cooled units)
- (C) 1/2" (1.27 cm) F.P.T. Water Condenser Outlet (water-cooled units)
- (D) 1/2" (1.27 cm) Auxiliary Base Drain Socket
- (E) 3/8" (0.95 cm) F.P.T. Ice Making Water Inlet
- (F) 1/2" (1.27 cm) F.P.T. Ice Making Water Drain
- (G) 3/4" (1.91 cm) Bin Drain

**Space-Saving Designs**



**iF0300 D-400**

Height	54.50" 138.43 cm
Width	30.00" 76.20 cm
Depth	34.00" 86.30 cm
Bin Storage	365 lbs. 165.7 kgs.

Height includes adjustable bin legs 6.00" to 8.00", (15.24 to 20.32 cm) set at 6.00" (15.24 cm).

Storage bin rated at application capacity based on 90% of the volume x 33 lbs/ft<sup>3</sup> average density of ice.

**Specifications**

Model	Ice Shape	Ice Production 24 Hours		Power Usage kWh/100 lbs. @90°Air/70°F	Water Usage/ 100 lbs. @90°Air/70°F
		70°Air/ 50°F Water	90°Air/ 70°F Water		
<b>AIR-COOLED</b>	IDF0300A 	325 lbs.	240 lbs.	6.95	Potable Water
		147 kgs.	108 kgs.		20.0 gal
	IYF0300A 	325 lbs.	240 lbs.	6.95	20.0 gal
		147 kgs.	108 kgs.		75.7 L
<b>WATER-COOLED</b>	IDF0300W 	310 lbs.	250 lbs.	5.45	20.0 gal
		140 kgs.	118 kgs.		75.7 L
	IYF0300W 	310 lbs.	260 lbs.	5.50	20.0 gal
		140 kgs.	118 kgs.		75.7 L

\* Water-cooled Condenser Water Usage / 100 lbs. /45.4 kgs. Of Ice: 180 gal / 681 L .  
 \* Water-cooled models are excluded from ENERGY STAR qualification.

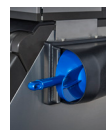
Order ice storage bin separately.

**Accessories**

**LuminIce<sup>®</sup> II Growth Inhibitor**  
 reduces yeast and bacteria growth for a cleaner ice machine.



**External Scoop holder**  
 Protect the ice scoop with the NSF approved versatile scoop holder.



**Arctic Pure<sup>®</sup> Water Filters**  
 Reduces sediment and chlorine odors for better tasting ice.



**iAUCS<sup>®</sup>**  
 schedules and performs routine ice machine cleaning automatically.



Welbilt reserves the right to make changes to the design or specifications without prior notice.