

# iF0900 Ice Cube Machine

iF0900 Ice Cube Machine

Model:  IYF-0900A  IDF-0900N  IYF-0900N



Indigo NXT Series iF0900N Ice Machine on a D570 Bin  
\*Ice machine and bin sold separately

Designed for operators who know that ice is critical to their business, the Indigo®NXT Series ice machine's preventative diagnostics continually monitor itself for reliable ice production. Improvements in cleanability and programmability make your ice machine easy to own and less expensive to operate.

- **easyTouch® Display**- New icon based touch screen takes the guess work out of owning and operating an ice machine.
- **Programmable Ice Production** – Now its super easy to program your ice machine to be off at certain times of the day to save money with fluctuating electrical rates. Also programmable by daily ice production volume.
- **Easy to Clean Foodzone** – Hinged front door swings out for easy access. Removable water-trough, distribution tube, curtain, and sensing probes for fast and efficient cleaning. Select components made with AlphaSan® antimicrobial.
- **Intelligent Diagnostics** – provide 24 hour preventative maintenance and diagnostic feedback for trouble free operation.
- **Acoustical Ice Sensing Probe** – Unique patented technology allows for reliable operation in challenging water conditions and environments.
- **DuraTech™ Exterior** – provides superior corrosion resistant above stainless steel. Innovative clear-coat resists fingerprints and dirt making it easier to keep clean.
- **Available LuminIce II Virus and Bacteria Inhibitor**- Controls viruses, bacteria and yeast within the food zone to keep the machine cleaner longer. A new sanitation icon lets you know the operational status.
- **Active Sense**- Insures consistent ice harvest in all environmental conditions. This software solution works in conjunction with the acoustical ice sensing probe improving reliability and performance

## Specifications

### BTU Per Hour:

12,700 (average)  
14,800 (peak)

### Refrigerant:

R-404A CFC-free

### Operating Limits:

Ambient Temperature Range:  
40 to 110 F (4.4 to XX.XX)

Remote Condenser:  
-20 to 120 F (-29 to 49C)

Water Temperature Range:  
40 to 90 F (4.4 to 32.2 C)

Water Pressure Ice Maker Water In:  
Min. 20 psi (137.9 kPa)  
Max. 80 psi (551.1 kPa)

## Ice Machine Electric

208-230/60/1  
(208-230/60/3 and 230/50/1 also available)

### Minimum circuit ampacity:

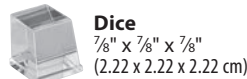
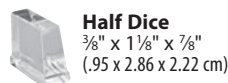
Air: 7.2 3 ph  
Remote: 9.8 1ph 7.2 3ph

### Maximum fuse size:

Air: 15 3 ph  
Remote: 20 1ph 15 3ph



## Ice Shape



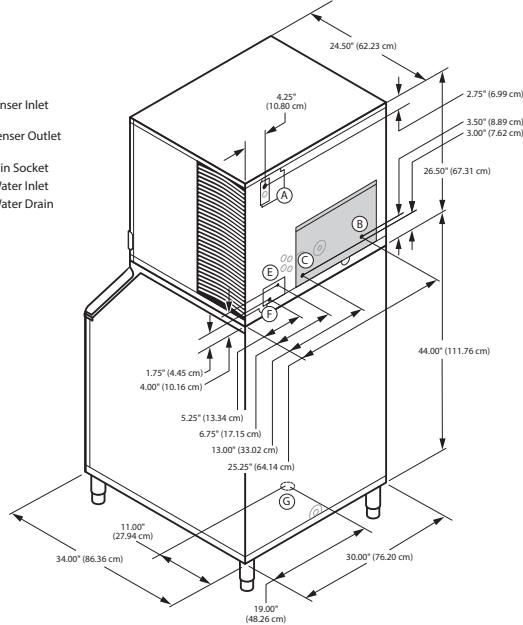


### iF0900N on D-570 Storage Bin

- (A) Electrical Entrance (2) Options
- (B) 3/8" (0.95 cm) F.P.T. Water Condenser Inlet (water-cooled units)
- (C) 1/2" (1.27 cm) F.P.T. Water Condenser Outlet (water-cooled units)
- (D) 1/2" (1.27 cm) Auxillary Base Drain Socket
- (E) 3/8" (0.95 cm) F.P.T. Ice Making Water Inlet
- (F) 1/2" (1.27 cm) F.P.T. Ice Making Water Drain
- (G) 3/4" (1.91 cm) Bin Drain

**Installation Note**  
Minimum installation clearance:

Top/sides: 8" (20.32 cm); Back is 5" (12.7 cm)



### Space-Saving Designs



	iF0900 D-570	iF0900 D-970
Height	82.50" 209.55 cm	82.50" 209.55 cm
Width	30.00" 76.20 cm	48.00" 121.9 cm
Depth	34.00" 86.30 cm	34.00" 86.30 cm
Bin Storage	532 lbs. 241 kgs	882 lbs. 400 kgs

Height includes adjustable bin legs 6.00" to 8.00", (15.24 to 20.32 cm) set at 6.00" (15.24 cm).  
Bin capacity is based on 90% of the volume x 33 lbs/ft<sup>3</sup> average density of ice

### Specifications

	Model	Ice Shape	Ice Production 24 Hours				Power Usage kWh/100 lbs.@90°Air/70°F		Potable Water Usage/100 lbs. (45.4 kgs.) of Ice
			70°Air/ 50°F Water		90°Air/ 70°F Water		1 Ph	3 Ph	
			1 ph	3 ph	1 ph	3 ph			
AIR-COOLED	IYF-0900A	half-dice	use R410A	915 lbs	use R410A	700 lbs	use R410A	5.21	19 Gal.
			use R410A	415 kg	use R410A	415 kg			71.9 L
REMOTE-COOLED	IDF-0900N	dice	793 lbs	N.A.	710 lbs	N.A.	5.20	N.A.	19 Gal.
			360 kg	N.A.	322 kg	N.A.			71.9 L
	IYF-0900N	half-dice	830 lbs	830 lbs	740 lbs	740 lbs	5.0	5.0	19 Gal.
			376 kg	376 kg	336 kg	336 kg			71.9 L

### Standard Remote Tubing Kits

Tubing Kit	Tubing Length
RT20R404	20 ft / 6.1 m
RT35R404	35 ft / 10.7 m
RT50R404	50 ft / 15.2



Standard air-cooled remote JCF0900-161

Ice storage bin and JCF0900 remote condenser must be ordered separately. Consult remote condenser specification sheet for details.  
Tubing Kits come pre-charge with quick connects. When ordering, add an A suffix at the end of the electrical option. Example: IYF0900N-261A

### Accessories

**LuminIce® II Virus and Bacteria Inhibitor**  
controls viruses and bacteria inside the ice machine



#### External Scoop holder

Protect the ice scoop with the NSF approved versatile scoop holder.



**Arctic Pure® Plus**  
reduce sediments and chlorine contaminants down to .5 microns. Use with Pre-filter recommended



**iAuCS®**  
schedules and performs routine ice machine cleaning automatically.

