

IT0750N Ice Cube Machine

Model: IDT-0750N IYT-0750N



Indigo NXT Series IT0750N
Ice Machine on a D570 Bin
*Ice machine and bin sold separately

Designed for operators who know that ice is critical to their business, the Manitowoc Indigo NXT Series Ice Machine provides reliable and consistent performance. Built-in preventative diagnostics and programmable operation help minimize downtime and optimize total cost of ownership.

Sanitation

- **Easy Interior Cleaning** - hinged front door swings wide open, providing easy access to food zone. Removable water trough, distribution tube, curtain, water probe and water pump allow complete, efficient cleaning. Select components made with AlphaSan® antimicrobial
- **Low-Maintenance, Durable Exterior** - DuraTech® provides superior, corrosion resistance above stainless steel. Innovative clear coat resists fingerprints and dirt, helping keep the machine cleaner longer
- **Added Protection** - Available LuminIce® Growth Inhibitor helps control the growth of bacteria and yeast within the food zone. Indicator on the display provides operational status

Sustainability & Value

- **Ease of Operation** - easyTouch® Display takes the guesswork out of owning and operating an ice machine with icon-based touch screen
- **Consistent Output** - Acoustical Ice Sensing Probe and Active Sense ensure consistent harvest, even in challenging water conditions and environments
- **Intelligent Diagnostics** - worry-free operation with 24-hour preventative maintenance and diagnostic feedback
- **Cost Savings** - reduce energy costs with programmable Ice production by scheduling during lower rate hours and controlling daily ice volume
- **Overall Lifetime Value** - lower cost of ownership over the life of machine with decreased energy consumption as compared to legacy R404A models

Ice Machine Electric

208-230/60/1 standard
(230/50/1 also available)

Minimum circuit ampacity:

Remote: 8.9 *lph*

Maximum fuse size:

Remote: 15.0 *lph*

Specifications

BTU Per Hour:

11,800 (average)
13,700 (peak)

Refrigerant:

R-410A CFC-free

Operating Limits:

Ambient Temperature Range:

40° to 110° F (4.4° to 43.3° C)

Water Temperature Range:

40° to 90° F (4.4° to 32.2° C)

Water Pressure Ice Maker Water In:

Min. 20 psi (137.9 kPa)

Max. 80 psi (551.1 kPa)

Ice Shape



Half Dice

$\frac{3}{8}'' \times 1\frac{1}{8}'' \times \frac{7}{8}''$

(0.95 x 2.86 x 2.22 cm)



Dice

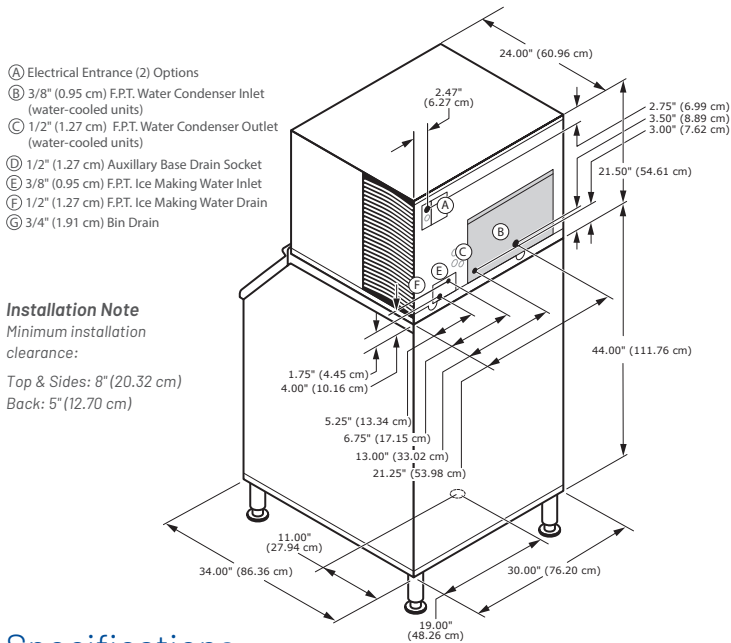
$\frac{7}{8}'' \times \frac{7}{8}'' \times \frac{7}{8}''$

(2.22 x 2.22 x 2.22 cm)



IT0750N Ice Cube Machine

IT0750N on D-570 Storage Bin



Space-Saving Designs



	IT0750N D-400	IT0750N D-570
Height	59.50" 151.13 cm	71.50" 181.61 cm
Width	30.00" 76.20 cm	30.00" 76.20 cm
Depth	34.00" 86.30 cm	34.00" 86.30 cm
Bin Storage	365 lbs. 165.70 kgs	532 lbs. 241.10 kgs

Height includes adjustable bin legs 6.00" to 8.00", (15.24 to 20.32 cm) set at 6.00" (15.24 cm).
 Bin capacity is based on 90% of the volume x 33 lbs/ft³ average density of ice.

Specifications

	Model	Ice Shape	Ice Production 24 Hours		Power Usage kWh/100 lbs. @90° Air/70° F	Potable Water Usage/100 lbs. 45.4 kgs of Ice
			70° Air/50° F Water	90° Air/70° F Water	1 Ph	
REMOTE-COOLED	IDT-0750N-261	dice	690 lbs	580 lbs	5.26★	20.0 Gal.
			313 kg	263 kg		75.70 L
	IYT-0750N-261	half-dice	720 lbs	619 lbs	5.38★	20.0 Gal.
			302 kg	263 kg		75.70 L
	IYT0750N-261X	half-dice	696 lbs	605 lbs	5.26	20.0 Gal.
			327 kgs	281 kgs		75.70 L

★ ENERGY STAR 3.0 qualified

Commercial Warranty - Ice Maker three (3) years parts and labor
 Evaporator five (5) years parts and labor
 Compressor five (5) years parts, three (3) years labor

Standard Remote Tubing Kits

Tubing Kit	Tubing Length
RT20R410A	20 ft / 6.10 m
RT35R410A	35 ft / 10.70 m
RT50R410A	50 ft / 15.20 m

Remote Condenser: -20° to 120° F (-29° to 49°C)

Ice storage bin and JCT1200-261 remote condenser must be ordered separately. Consult remote condenser specification sheet for details.
 Tubing Kits come pre-charged with quick connects.



Accessories

Luminice® Virus and Bacteria Inhibitor

Controls viruses and bacteria in the ice machine.



External Scoop Holder

Protects the ice scoop with the NSF-approved, versatile scoop holder.



Arctic Pure® Plus Water Filters

Reduces sediments and contaminants down to 0.5 microns, and 95% of chlorine taste & odor. Use with a pre-filter is recommended.



iAuCS®

Schedules and performs routine ice machine cleaning automatically.



2110 South 26th Street | Manitowoc, WI 54220 | United States
 920.682.0161 (US Only) | 920.683.7589 Fax | manitowocice.com

All indicated Pentair trademarks and logos are property of Pentair. Third party registered and unregistered trademarks and logos are the property of their respective owners.
 ©2023 Pentair. All rights reserved.