

# EXTRA CAPACITY ICE CHESTS WITHOUT COLD PLATE

---

## MODELS

TS Series

- TS24IC-EC
- TS30IC-EC
- TS36IC-EC

## MODELS

TSD Series

- TSD24IC-EC
- TSD30IC-EC
- TSD36IC-EC



### Perlick Features

- Dent resistant ABS top ledge
- Stainless steel legs install without tools and have "Rust Free" thermoplastic feet.

Form No. IC05-1  
Rev. 07.22.2011



8300 West Good Hope Road • Milwaukee, WI 53223 • Phone 414.353.7060 • Fax 414.353.7069  
Toll Free 800.558.5592 • E-Mail [perlick@perlick.com](mailto:perlick@perlick.com) • [www.perlick.com](http://www.perlick.com)

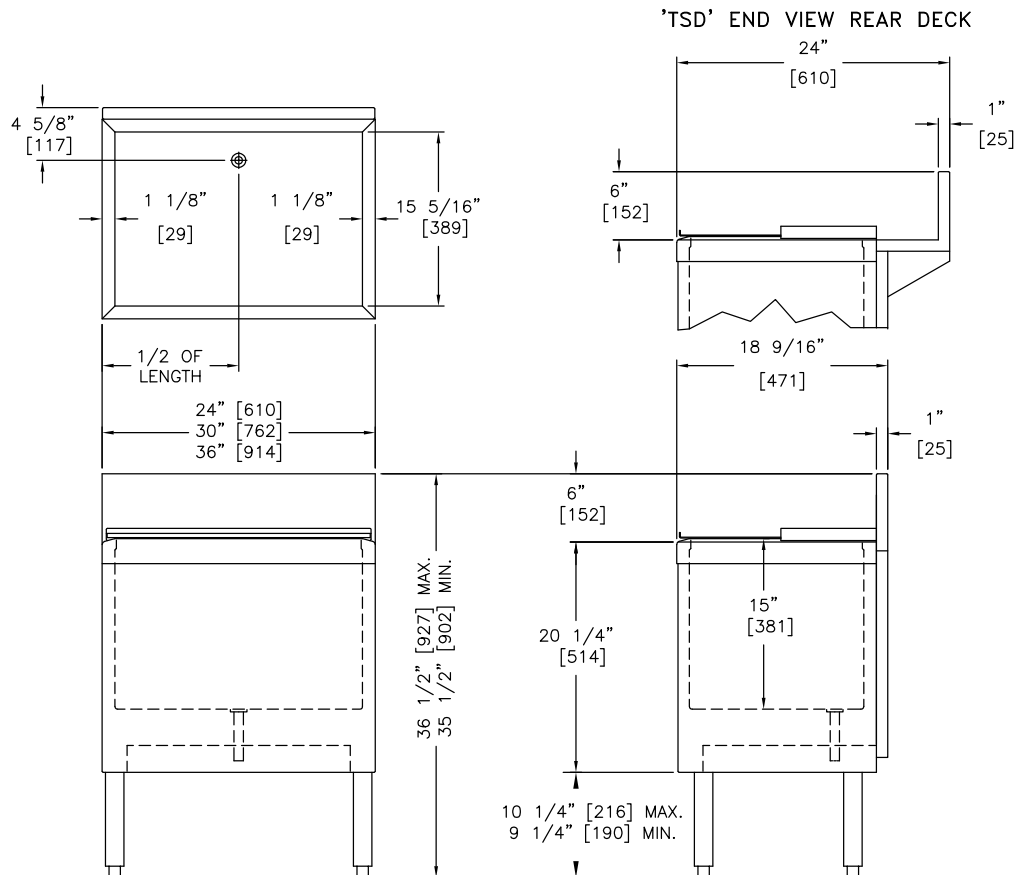
# Size and Specifications

Extra Capacity Ice Chest without Cold Plate

Job \_\_\_\_\_  
 Area \_\_\_\_\_  
 Item No. \_\_\_\_\_  
 Model No. \_\_\_\_\_

| MODEL NOS.         | TS(D)24IC-EC  | TS(D)30IC-EC | TS(D)36IC-EC |
|--------------------|---|--------------|--------------|
| LENGTH IN. (mm)    | 24" (610)   | 30" (762)    | 36" (914)    |
| ICE CAP. lbs. (kg) | 75 (34)   | 95 (43.1)    | 115 (52.2)   |
| SHIP WT. lbs. (kg) | 100 (45.4)  | 110 (49.9)   | 120 (54.4)   |
| FRONT & SIDES      | Stainless steel, top rim ABS  |              |              |
| BACKSPLASH         | Stainless steel 6" high with 1" return at top, mechanically fastened and sealed to ice chest top with steel support brackets.                     |              |              |
| BACK & BOTTOM      | Galvanized steel  |              |              |
| INTERIOR           | Stainless steel with 1/4" radius corners, welded and sealer with non-exposed cold plate. Interiors can be divided with freestanding ice dividers. |              |              |
| INSULATION         | Foamed-in-place polyurethane  |              |              |
| LEGS (optional)    | 1-5/8" tubular, stainless steel with 1" adjustable thermoplastic foot.  |              |              |
| PLUMBING           | Drain connection- 1/2" NPS male   |              |              |
| ACCESSORIES        | Covers, bottle well & cover kits, condiment trays, soda chases  |              |              |

## COVERS NOT INCLUDED



Form No. IC05-1  
 Rev. 07.22.2011



8300 West Good Hope Road • Milwaukee, WI 53223 • Phone 414.353.7060 • Fax 414.353.7069  
 Toll Free 800.558.5592 • E-Mail perlick@perlick.com • www.perlick.com

Perlick is committed to continuous improvement. Therefore, we reserve the right to change specifications without prior notice