

EXTRA CAPACITY ICE CHESTS WITH COLD PLATE

MODELS

TS Series

TS24IC-EC10

TS30IC-EC10

TS36IC-EC10

MODELS

TSD Series

TSD24IC-EC10

TSD30IC-EC10

TSD36IC-EC10



**Covers sold separately*

Perlick Features

- Dent resistant ABS top ledge
- Stainless steel legs install without tools and have "Rust Free" thermoplastic feet.

Form No. IC05-2
Rev. 07.22.2011



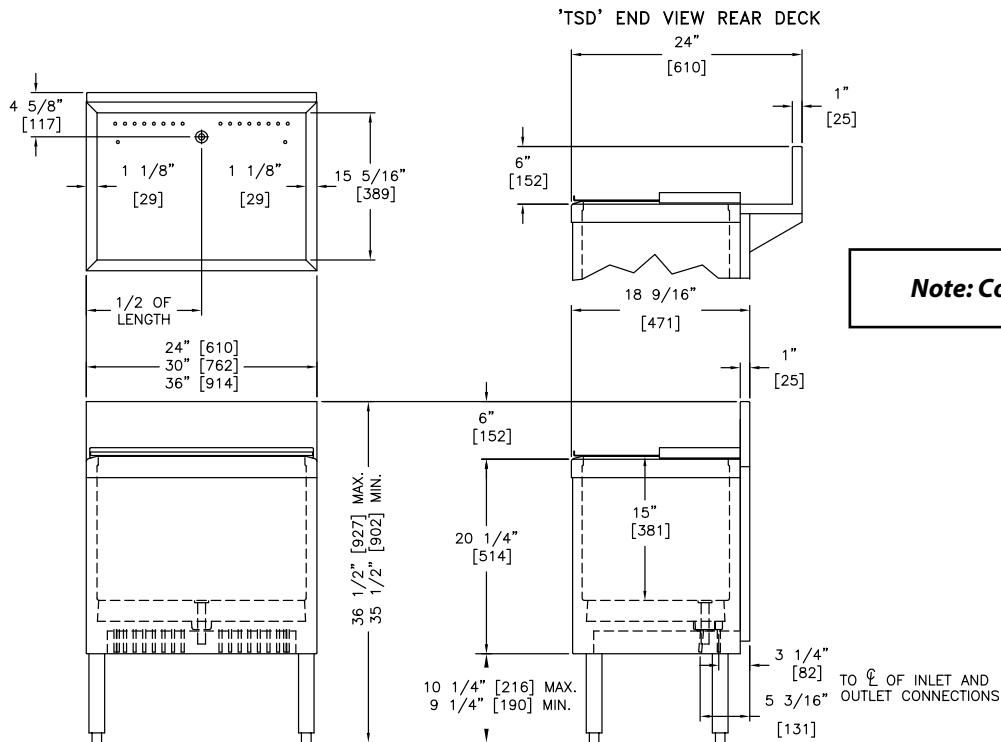
8300 West Good Hope Road • Milwaukee, WI 53223 • Phone 414.353.7060 • Fax 414.353.7069
Toll Free 800.558.5592 • E-Mail perlick@perlick.com • www.perlick.com

Size and Specifications

Extra Capacity Ice Chest with Cold Plate

Job _____
 Area _____
 Item No. _____
 Model No. _____

MODEL NOS.	TS(D)24IC-EC10	TS(D)30IC-EC10	TS(D)36IC-EC10
LENGTH IN. (mm)	24" (610)	30" (762)	36" (914)
ICE CAP. lbs. (kg)	75 (34)	95 (43.1)	115 (52.2)
SHIP WT. lbs. (kg)	100 (45.4)	110 (49.9)	120 (54.4)
FRONT & SIDES	Stainless steel, top rim ABS		
BACKSPLASH	Stainless steel 6" high with 1" return at top, mechanically fastened and sealed to ice chest top with steel support brackets.		
BACK & BOTTOM	Galvanized steel		
INTERIOR	Stainless steel with 1/4" radius corners, welded and sealer with non-exposed cold plate. Interiors can be divided with freestanding ice dividers.		
INSULATION	Foamed-in-place polyurethane		
LEGS (optional)	1-5/8" tubular, stainless steel with 1" adjustable thermoplastic foot.		
PLUMBING	Drain connection- 1/2" NPS male		
COLD PLATE	Cast aluminum plate concealed under ice chest liner. Cold plate has two full-length circuits and 8 half-length circuits. Connections 5/16" O.D. stainless steel tubing with swagged end to accept standard 1/4" I.D. beverage tubing.		
OPERATING SPECIFICATIONS	Each full circuit will deliver four 6 oz. drinks per minute at 40° continuously, or 40 oz. every three minutes in a single draw (flow rate 2 oz./sec, 75° ambient, 75° degree product).		
ACCESSORIES	Covers, bottle well & cover kits, condiment trays, soda chases		



Note: Covers not included.

Form No. IC05-2
 Rev. 07.22.2011



8300 West Good Hope Road • Milwaukee, WI 53223 • Phone 414.353.7060 • Fax 414.353.7069
 Toll Free 800.558.5592 • E-Mail perlick@perlick.com • www.perlick.com

Perlick is committed to continuous improvement. Therefore, we reserve the right to change specifications without prior notice