

# STANDARD ICE CHESTS (FULL DEPTH) WITH COLD PLATE

---

## MODELS

TSF Series

□ TSF18IC10



## Perlick Features

- Patented design conceals cold plate under liner for improved sanitation
- Dent resistant ABS top ledge
- Stainless steel legs install without tools and have "Rust Free" thermoplastic feet
- New slim width design with cold plate

Form No. IC09



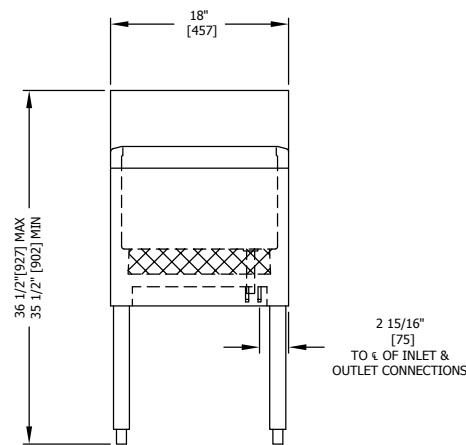
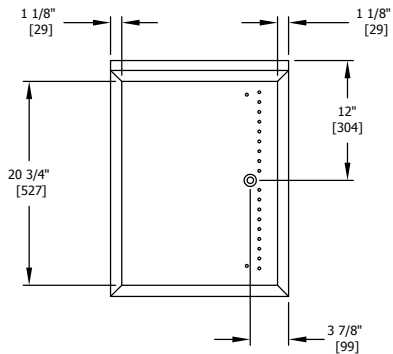
8300 West Good Hope Road • Milwaukee, WI 53223 • Phone 414.353.7060 • Fax 414.353.7069  
Toll Free 800.558.5592 • E-Mail [perlick@perlick.com](mailto:perlick@perlick.com) • [www.perlick.com](http://www.perlick.com)

# Size and Specifications

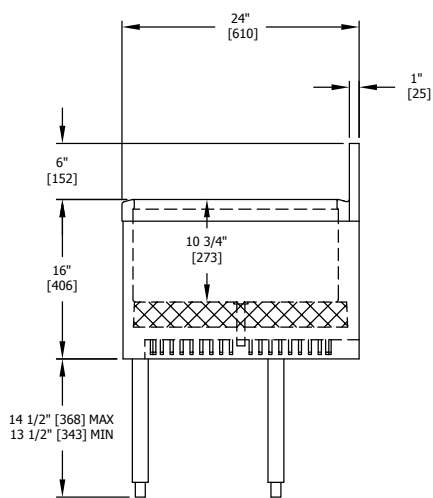
18" Standard Ice Chests (Full Depth) with Cold Plate

Job \_\_\_\_\_  
 Area \_\_\_\_\_  
 Item No. \_\_\_\_\_  
 Model No. \_\_\_\_\_

<b>MODEL NOS.</b>	<b>TSF18IC10</b>
<b>LENGTH IN. (mm)</b>	18" (457)
<b>ICE CAP. lbs. (kg)</b>	45 (25)
<b>SHIP WT. lbs. (kg)</b>	130 (75.5)
<b>FRONT &amp; SIDES</b>	Stainless steel, top rim ABS
<b>BACKSPLASH</b>	Stainless steel 6" high (4" optional) with 1" return at top, mechanically fastened and sealed to ice chest top with steel support brackets
<b>BACK &amp; BOTTOM</b>	Galvanized steel
<b>INTERIOR</b>	Stainless steel with 1/4" radius corners, welded and sealed with non-exposed cold plate. Interiors can be divided with freestanding ice dividers
<b>INSULATION</b>	Foamed-in-place polyurethane
<b>LEGS</b>	1-5/8" tubular, stainless steel with 1" adjustable thermoplastic foot
<b>PLUMBING</b>	Drain connection- 1/2" NPS male
<b>COLD PLATE</b>	Cast aluminum plate concealed under ice chest liner. Cold plate has 2 full-length circuits and 8 half-length circuits. Connections- 5/16" O.D. stainless steel tubing with swagged end to accept standard 1/4" I.D. beverage tubing
<b>OPERATING SPECIFICATIONS</b>	Each full circuit will deliver four, 6 oz drinks per minute at 40° continuously, or 40 oz. every three minutes in a single draw (Flow rate 2 oz./sec, 75° ambient, 75° product).
<b>ACCESSORIES</b>	Cover (stainless steel, two-piece, removable), Ice Divider, 2-Piece Cover, Bottle Wells, Condiment Trays



**Note: Covers not included. Soda Chase not applicable; soda lines must be routed behind adjacent equipment.**



Form No. IC09  
 Rev. 07.19.2011



8300 West Good Hope Road • Milwaukee, WI 53223 • Phone 414.353.7060 • Fax 414.353.7069  
 Toll Free 800.558.5592 • E-Mail perlick@perlick.com • www.perlick.com

Perlick is committed to continuous improvement. Therefore, we reserve the right to change specifications without prior notice