

# STANDARD ICE CHESTS WITHOUT COLD PLATE



## MODELS

TS Series

- TS24IC
- TS30IC
- TS36IC
- TS42IC
- TS48IC

## MODELS

TSD Series

- TSD24IC
- TSD30IC
- TSD36IC
- TSD42IC
- TSD48IC



### Perlick Features

- Dent resistant ABS top ledge
- Stainless steel legs install without tools and have "Rust Free" thermoplastic feet



GENERATIONS OF  
EXCELLENCE

Form No. IC02  
Rev. 01.17.2012



8300 West Good Hope Road • Milwaukee, WI 53223 • Phone 414.353.7060 • Fax 414.353.7069  
Toll Free 800.558.5592 • E-Mail [perlick@perlick.com](mailto:perlick@perlick.com) • [www.perlick.com](http://www.perlick.com)

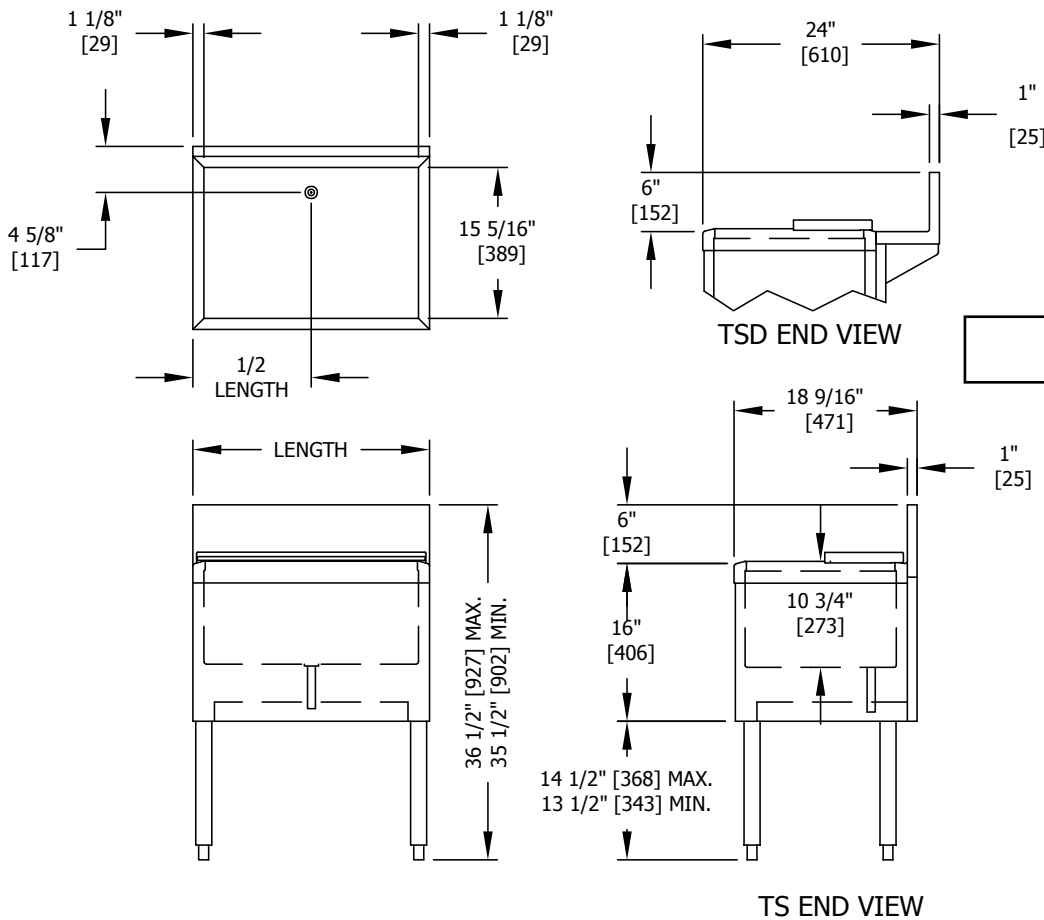
# Size and Specifications

Standard Ice Chests without Cold Plate




Job \_\_\_\_\_  
 Area \_\_\_\_\_  
 Item No. \_\_\_\_\_  
 Model No. \_\_\_\_\_

MODEL NOS.	TS(D)18IC	TS(D)24IC	TS(D)30IC	TS(D)36IC	TS(D)42IC	TS(D)48IC
LENGTH IN. (mm)	18" (457)	24" (610)	30" (762)	36" (914)	42" (1067)	48" (1219)
ICE CAP. lbs. (kg)	35" (15.8)	50 (22.7)	70 (31.8)	85 (38.6)	100 (45.4)	115 (52.2)
SHIP WT. lbs. (kg)	50 (22.7)	60 (27.2)	70 (31.8)	80 (36.3)	90 (40.1)	100 (45.4)
FRONT & SIDES	Stainless steel, top rim ABS					
BACKSPLASH	<b>General and TS Series:</b> Stainless steel 6" high (4" optional) with 1" return at top, mechanically fastened and sealed to ice chest top with steel support brackets <b>TSD Series:</b> Backlash and rear deck stainless steel					
BACK & BOTTOM	Galvanized steel					
COVERS	Stainless steel, two-piece, removable					
INTERIOR	Stainless steel with 1/4" radius corners, welded and sealer with non-exposed cold plate. Interiors can be divided with accessory freestanding ice dividers					
INSULATION	Foamed-in-place polyurethane					
LEGS (optional)	1-5/8" tubular, stainless steel with 1" adjustable thermoplastic foot					
PLUMBING	Drain connection- 1/2" NPS male					



**Note: Covers not included.**

Form No. IC02  
 Rev. 01.17.2012



8300 West Good Hope Road • Milwaukee, WI 53223 • Phone 414.353.7060 • Fax 414.353.7069  
 Toll Free 800.558.5592 • E-Mail perlick@perlick.com • www.perlick.com

Perlick is committed to continuous improvement. Therefore, we reserve the right to change specifications without prior notice