

STANDARD ICE CHESTS WITH COLD PLATE



MODELS

TS Series

- TS24IC10
- TS30IC10
- TS36IC10
- TS42IC10
- TS48IC10

MODELS

TSD Series

- TSD24IC10
- TSD30IC10
- TSD36IC10
- TSD42IC10
- TSD48IC10



TS24IC10

Perlick Features

- Patented design conceals cold plate under liner for improved sanitation
- Dent resistant ABS top ledge
- Stainless steel legs install without tools and have "Rust Free" thermoplastic feet



GENERATIONS OF
EXCELLENCE

Form No. IC01
Rev.01.17.2012



8300 West Good Hope Road • Milwaukee, WI 53223 • Phone 414.353.7060 • Fax 414.353.7069
Toll Free 800.558.5592 • E-Mail perlick@perlick.com • www.perlick.com

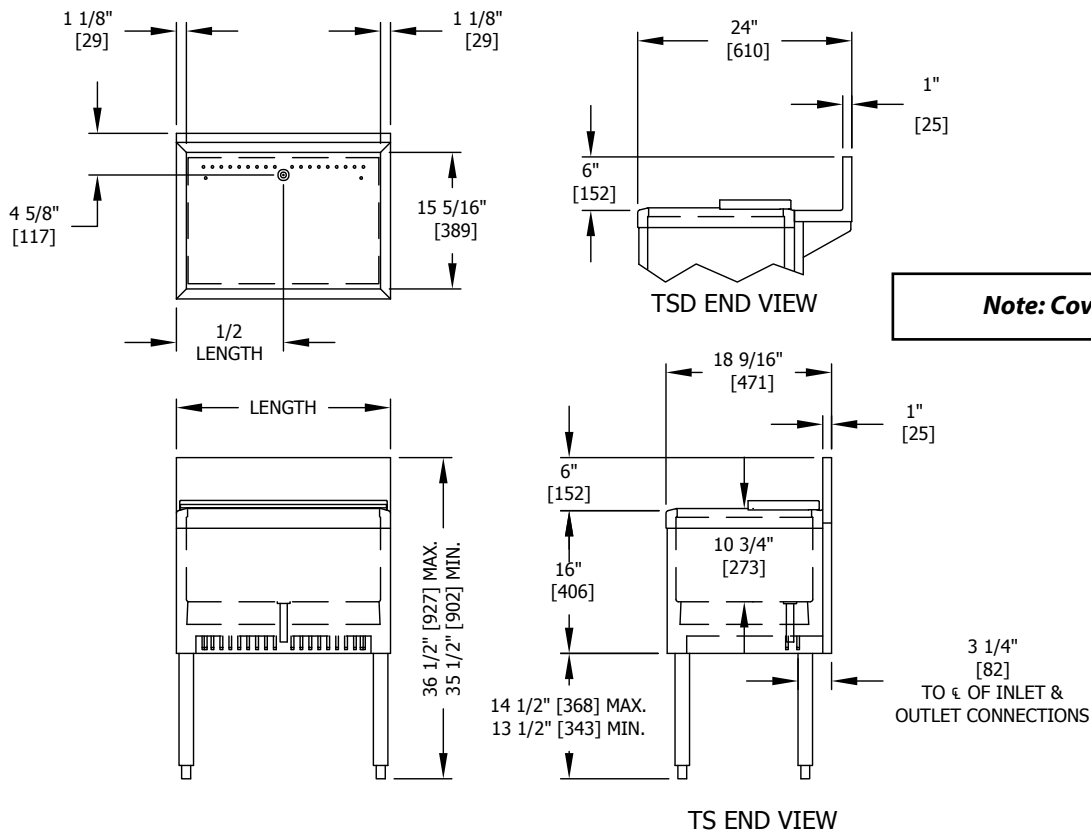
Size and Specifications

Standard Ice Chests with Cold Plate



Job _____
 Area _____
 Item No. _____
 Model No. _____

MODEL NOS.	TS(D)24IC10	TS(D)30IC10	TS(D)36IC10	TS(D)42IC10	TS(D)48IC10
LENGTH IN. (mm)	24" (610)	30" (762)	36" (914)	42" (1067)	48" (1219)
ICE CAP. lbs. (kg)	50 (22.7)	70 (31.8)	85 (38.6)	100 (45.4)	115 (52.2)
SHIP WT. lbs. (kg)	166 (75.3)	191 (86.6)	201 (91.2)	211 (95.7)	221 (100.2)
FRONT & SIDES	Stainless steel, top rim ABS				
BACKSPLASH	General and TS Series: Stainless steel 6" high (4" optional) with 1" return at top, mechanically fastened and sealed to ice chest top with steel support brackets TSD Series: Backlash and rear deck stainless steel				
BACK & BOTTOM	Galvanized steel				
INTERIOR	Stainless steel with 1/4" radius corners, welded and sealer with non-exposed cold plate. Interiors can be divided with accessory freestanding ice dividers				
INSULATION	Foamed-in-place polyurethane				
LEGS (optional)	1-5/8" tubular, stainless steel with 1" adjustable thermoplastic foot				
PLUMBING	Drain connection- 1/2" NPS male				
COLD PLATE	Cast aluminum plate concealed under ice chest liner. Cold plate has 2 full-length circuits and 8 half-length circuits. Connections- 5/16" O.D. stainless steel tubing with swaged end to accept standard 1/4" I.D. beverage tubing				
OPERATING SPECIFICATIONS	Each full circuit will deliver four, 6oz drinks per minute at 40° continuously, or 40oz every three minutes in a single draw (Flow rate 2oz/sec, 75° product)				



Form No. IC01
 Rev. 01.17.2012



8300 West Good Hope Road • Milwaukee, WI 53223 • Phone 414.353.7060 • Fax 414.353.7069
 Toll Free 800.558.5592 • E-Mail perlick@perlick.com • www.perlick.com

Perlick is committed to continuous improvement. Therefore, we reserve the right to change specifications without prior notice