



48" Upright Bins

Model Number
1045
1315



1045 shown



FEATURES

- Stainless steel front and sides
- Galvanized steel back and bottom
- Large opening for scoop dispensing
- Seamless polyethylene liner with coved corners
- 1 ½" foamed in-place polyurethane insulation
- Stainless steel baffle prevents ice overflow
- Adjustable feet
- Factory installed 1" NPS stainless steel drain
- Spring loaded door hinge
- Transparent view windows

ASSEMBLY REQUIRED

- Snout (tool-free)
- Feet

Toll Free Phone: 1-800-346-3246

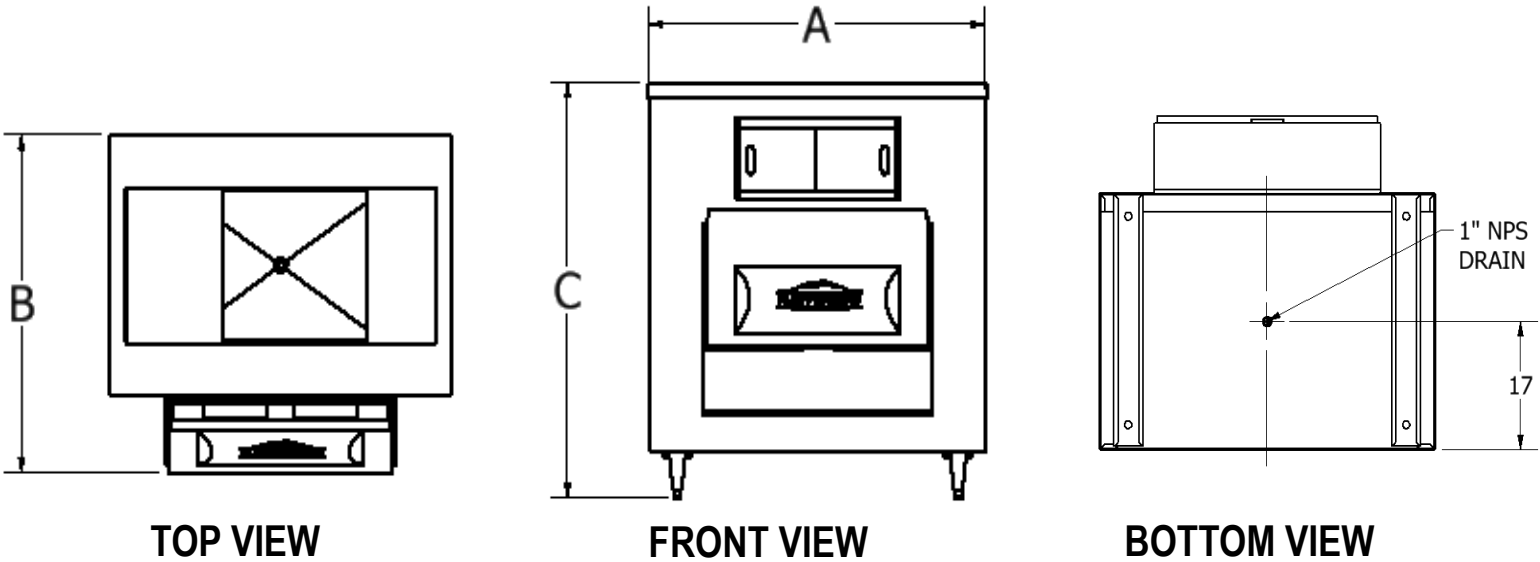
Local Phone: (303) 761-1615

E-mail: sales@kloppenberg.com

www.kloppenberg.com

Model Number
1045
1315

48" Upright Bins



Model Number	Capacity lbs (kg)	A-Width in (mm)	B-Depth* in (mm)	C-Height in (mm)	Minimum Door Clearance in (mm)	Ship Weight lbs (kg)
1045	1,161 (526)	48 (1,219)	44.5 (1,130)	55 (1,397)	34 (864)	300 (136)
1315	1,457 (660)	48 (1,219)	44.5 (1,130)	67 (1,701)	34 (864)	340 (155)

*Includes 10.5" depth for snout

OPTIONS:

- Stainless Steel liner
- Fully welded stainless steel liner (coved corners)
- Prison Package
- Flanged feet

AVAILABLE ACCESSORIES:

- Paddle
- Scoops
- Totes
- Bagging Kit
- Carts

Toll Free Phone: 1-800-346-3246 Local Phone: 303-761-1615

Email: sales@kloppenberg.com

Please send all PO's to purchaseorders@kloppenberg.com