



"Clean Dish Tables" Pro-Bowl

Straight Dish Tables w/ Stainless Steel Base & Bracing



STANDARD: 16 ga. 304 S/S welded Bowl
16 ga. 304 S/S sides and Splash
10" Back Splash



| 16 GAUGE TOP w/ BRACING | Qty |
|----------------------------|-----|
| JDTC-20-24 | |
| JDTC-20-36 | |
| JDTC-20-48 | |
| JDTC-20-60 | |
| JDTC-20-72 | |
| JDTC-20-84 | |
| JDTC-20-96 | |
| JDTC-20-120 | |
| JDTC-20-144 | |

**Must specify
Left or Right
Drainboards**

FEATURES:

- * Standard 16 Gauge (optional 14 gauge)
Type 304 stainless steel with # 3 polish, satin finish
- * Full length **10" High Boxed Backsplash**, with 2" return to wall at 45 degree and 3/4" turned down rear lip
- * All outside corners of assembly are Bullnosed to provide safe, clean and polished edge
- * Standard legs 1-5/8" diameter, 16 gauge Stainless Steel
Type 304 stainless steel with # 3 polish, satin finish
- * All models are approved by the National Sanitation Foundation and the U.S. Department of Agriculture.

CONSTRUCTION:

Top: Stainless Steel Sinks are TIG welded, Exposed welds are polished to match adjacent surface.

MATERIAL:

Bowls & 16 gauge stainless Steel (optional 14 Gauge)
Top: Type 304 stainless steel with # 3 polish, satin finish
Legs: 1 5/8" Round O.D., 16 gauge stainless steel
Type 304 stainless steel with # 3 polish, satin finish
Bracing: 1 1/4" Round O.D., 16 gauge stainless steel
Type 304 stainless steel with # 3 polish, satin finish
Gussets: Stainless Steel
Feet: 1" adjustable galvanized bullet feet

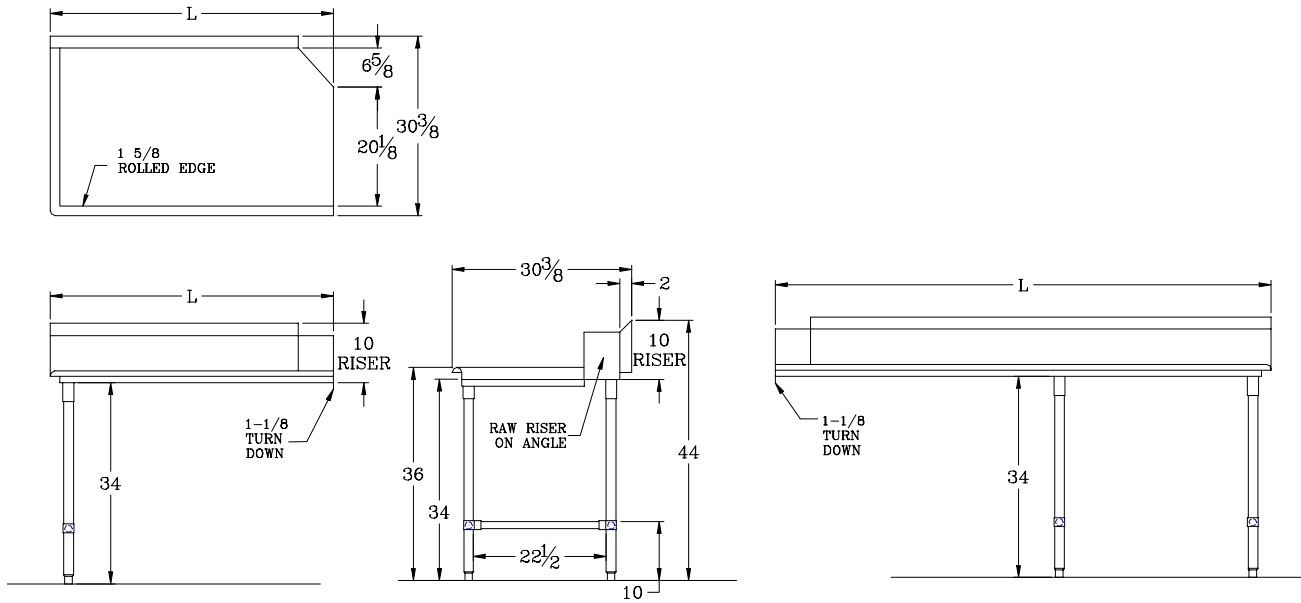
OPTIONAL ACCESSORIES

| | Qty |
|----------------------|-----|
| 14 GAUGE | |
| UNDERSHELF | |
| OVERSHELVES | |
| POT RACK | |
| STAINLESS STEEL FEET | |

John Boos & Co

315 South First Street - Effingham, IL 62401
Phone: 217-347-7701 - Fax: 217-347-7705
Email: sales@johnboos.com - Web-site: www.johnboos.com

DETAILED SPECIFICATIONS



All units ship unassembled for reduced shipping cost.

Units 7 ft. and larger are furnished with four legs.

All dimensions are typical.

Tolerance +/- .500".

| STANDARD 16 GAUGE | | | |
|-------------------|-----------|----------------|-----|
| MODEL | BOWL SIZE | DIMENSIONS | WT. |
| JDTC-20-24 | - | 24" x 30-3/8" | 35 |
| JDTC-20-36 | - | 36" x 30-3/8" | 45 |
| JDTC-20-48 | - | 48" x 30-3/8" | 60 |
| JDTC-20-60 | - | 60" x 30-3/8" | 70 |
| JDTC-20-72 | - | 72" x 30-3/8" | 85 |
| JDTC-20-84 | - | 84" x 30-3/8" | 100 |
| JDTC-20-96 | - | 96" x 30-3/8" | 110 |
| JDTC-20-120 | - | 120" x 30-3/8" | 160 |
| JDTC-20-144 | - | 144" x 30-3/8" | 210 |

John Boos & Co

315 South First - Effingham, IL 62401 Phone: 217-347-7701 - Fax: 217-347-7705

Email: sales@johnboos.com - Web-site: www.johnboos.com



June 2003

John Boos is constantly engaged in a program of improving products and therefore reserves the right to change specification without prior notice