



# "Soiled Dish Tables" Pro-Bowl

## Straight Dish Tables w/ Stainless Steel Base & Bracing



**STANDARD:** 16 ga. 304 S/S welded Bowl  
16 ga. 304 S/S sides and Splash  
10" Back Splash



| 16 GAUGE TOP w/<br>BRACING | Qty |
|----------------------------|-----|
| JDTS-20-36                 |     |
| JDTS-20-48                 |     |
| JDTS-20-60                 |     |
| JDTS-20-72                 |     |
| JDTS-20-84                 |     |
| JDTS-20-96                 |     |
| JDTS-20-120                |     |
| JDTS-20-144                |     |

**Must specify  
Left or Right  
Drainboards**

### FEATURES:

- \* Standard 16 Gauge (optional 14 gauge)  
Type 304 stainless steel with # 3 polish, satin finish
- \* 8" Deep Bowls (bowl size 20"x20"x8")
- \* All Corners, both vertical and horizontal, coved at 5/8" radius
- \* Bottoms of bowls formed for drainage to 3-1/2" diameter die stamped opening
- \* Full length **10" High Boxed Backsplash**, with 2" return to wall at 45 degree and 3/4" turned down rear lip
- \* 1-1/4" Faucet Holes in Backsplash
- \* All outside corners of assembly are Bullnosed to provide safe, clean and polished edge
- \* Standard legs 1-5/8" diameter, 16 gauge Stainless Steel Type 304 stainless steel with # 3 polish, satin finish
- \* All models are approved by the National Sanitation Foundation and the U.S. Department of Agriculture.

### CONSTRUCTION:

Top: Stainless Steel Sinks are TIG welded, Exposed welds are polished to match adjacent surface.

### MATERIAL:

Bowls & 16 gauge stainless Steel (optional 14 Gauge)  
Top: Type 304 stainless steel with # 3 polish, satin finish  
Legs: 1 5/8" Round O.D., 16 gauge stainless steel  
Type 304 stainless steel with # 3 polish, satin finish  
Bracing: 1 1/4" Round O.D., 16 gauge stainless steel  
Type 304 stainless steel with # 3 polish, satin finish  
Gussets: Stainless Steel  
Feet: 1" adjustable galvanized bullet feet

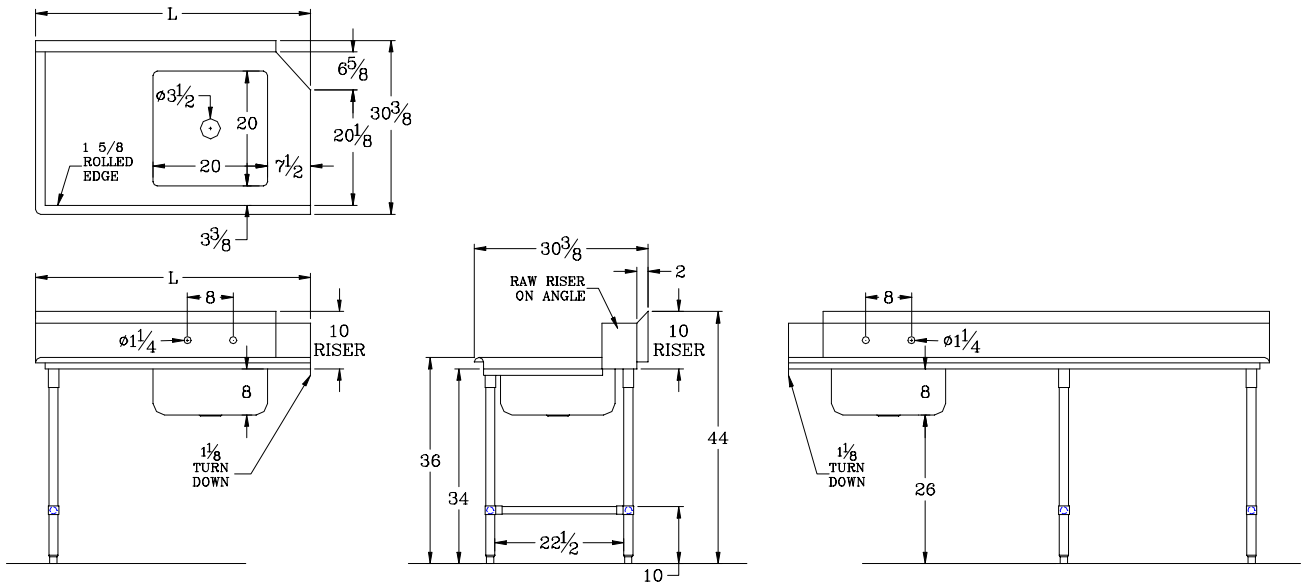
### OPTIONAL ACCESSORIES

|                      | Qty |
|----------------------|-----|
| 14 GAUGE             |     |
| ADD-A-FAUCETS        |     |
| PRE-RINSE UNITS      |     |
| LEVEL WASTE          |     |
| UNDERSHELF           |     |
| OVERSHELVES          |     |
| POT RACK             |     |
| STAINLESS STEEL FEET |     |

## John Boos & Co

315 South First Street - Effingham, IL 62401  
Phone: 217-347-7701 - Fax: 217-347-7705  
Email: sales@johnboos.com - Web-site: www.johnboos.com

## DETAILED SPECIFICATIONS



All units ship unassembled for reduced shipping cost.

Units 7 ft. and larger are furnished with four legs.

All dimensions are typical.

Tolerance +/- .500".

| STANDARD 16 GAUGE |             |                |     |
|-------------------|-------------|----------------|-----|
| MODEL             | BOWL SIZE   | DIMENSIONS     | WT. |
| JDTS-20-36        | 20 x 20 x 8 | 36" x 30-3/8"  | 45  |
| JDTS-20-48        | 20 x 20 x 8 | 48" x 30-3/8"  | 60  |
| JDTS-20-60        | 20 x 20 x 8 | 60" x 30-3/8"  | 70  |
| JDTS-20-72        | 20 x 20 x 8 | 72" x 30-3/8"  | 85  |
| JDTS-20-84        | 20 x 20 x 8 | 84" x 30-3/8"  | 100 |
| JDTS-20-96        | 20 x 20 x 8 | 96" x 30-3/8"  | 110 |
| JDTS-20-120       | 20 x 20 x 8 | 120" x 30-3/8" | 160 |
| JDTS-20-144       | 20 x 20 x 8 | 144" x 30-3/8" | 210 |

### John Boos & Co

315 South First - Effingham, IL 62401 Phone: 217-347-7701 - Fax: 217-347-7705

Email: sales@johnboos.com - Web-site: www.johnboos.com



June 2003

John Boos is constantly engaged in a program of improving products and therefore reserves the right to change specification without prior notice