



AUTOMATIC JUICE MACHINES

Item#

Project

Date

Models: JX15MC, JX15AC, JX15ACS
JX28MC, JX28MCB, JX28AC

Compact, Standard, & VariFruit™ Series Countertop Fruit Juice Machines



Model JX15AC



Model JX28AC

Features

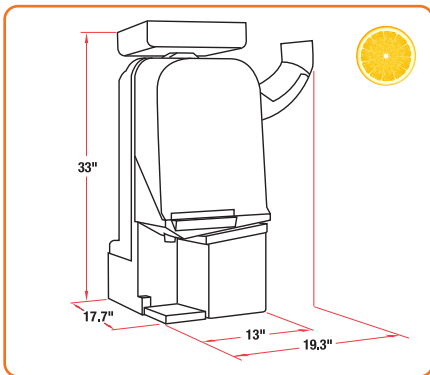
- **More Than Just Oranges** – Select models have the ability to process other varieties of fruit including lemons, limes, grapefruits, and pomegranates.
- **Avoid The Bitter Peel Taste** – The exclusive design of the juicer insures that the peel is separated from the pulp & not pressed during the squeezing process. This is the secret to fresh sweet juice without any trace of bitter peel oil.
- **Micro Serrated Slicing Blade** – Heavy-duty stainless steel blade strong enough to quickly slice through the thickest peel.
- **Available Carousel Style Automatic Feeder** – On models with this feature fruit is automatically fed into the machine quickly & efficiently as the feeder rotates.
- **Requires Minimal Counter Space** – The Compact series models are among the smallest automatic juice machines on the market.
- **Easy to Disassemble & Clean** – No tools required to remove dishwasher safe components.



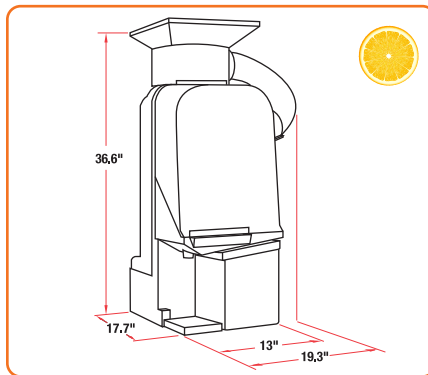
Models & Dimensions



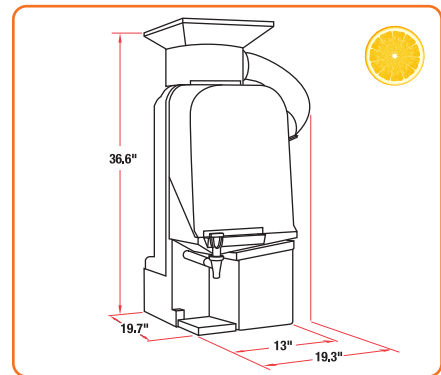
JX15MC Compact/Manual Feed



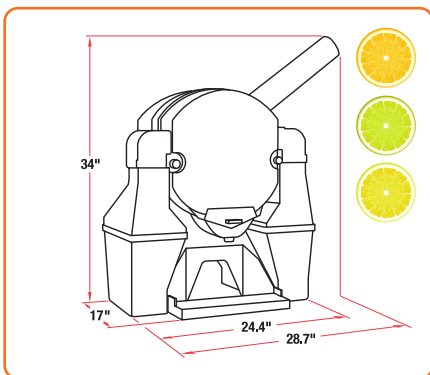
JX15AC Compact/Auto Feed



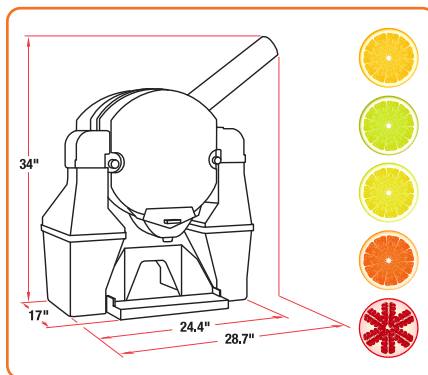
JX15ACS Compact/Auto Feed/Self Serve



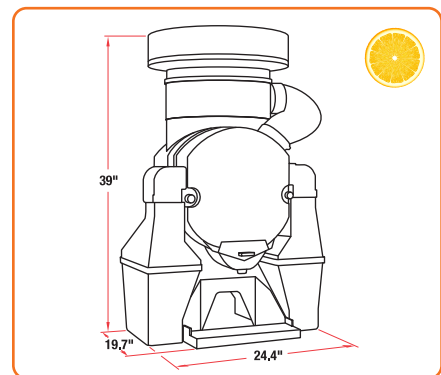
JX28MC Standard/Manual Feed/Fruit Opt. *



JX28MCB VariFruit™/Manual Feed



JX28AC Standard/Auto Feed



Oranges



Limes



Lemons



Grapefruits



Pomegranates



NEMA 5-15R

Specifications

Model	Description	Feeder Capacity	Flow Rate / Min	Dimensions (H x W x D)	Electrical	Ship Weight
JX15MC	15 oranges/min. Compact Series with manual feed.	6 Orange	25 oz. - 45 oz. (.7 L - 1.3 L)	33" x 19.3" x 17.7" (84 cm x 49 cm x 45 cm)	120V, .55KW, 9A	111 lbs. (51 kg)
JX15AC	15 oranges/min. Compact Series with auto feed.	13 lbs. (6 kg)	34 oz. - 66 oz. (1 L - 2 L)	36.6" x 19.3" x 17.7" (93 cm x 49 cm x 45 cm)	120V, .55KW, 9A	119 lbs. (54 kg)
JX15ACS	15 oranges/min. Compact Series with auto feed & self serve faucet.	13 lbs. (6 kg)	34 oz. - 66 oz. (1 L - 2 L)	36.6" x 19.3" x 19.7" (93 cm x 49 cm x 50 cm)	120V, .55KW, 9A	120 lbs. (55 kg)
JX28MC	28 oranges/min. Standard Series with manual feed, lemon & lime kit available option*	6 Fruit	42 oz. - 84 oz. (1.2 L - 2.5 L)	34" x 28.7" x 17" (86 cm x 73 cm x 43 cm)	120V, .55KW, 9A	96 lbs. (44 kg)
JX28MCB	28 oranges/min. VariFruit™ Series with manual feed, can process lemons, limes, pomegranates, & grapefruits.	6 Fruit	42 oz. - 84 oz. (1.2 L - 2.5 L)	34" x 28.7" x 17" (86 cm x 73 cm x 43 cm)	120V, .55KW, 9A	103 lbs. (47 kg)
JX28AC	28 oranges/min. Standard Series with auto feed.	40 lbs. (18 kg)	48 oz. - 96 oz. (1.4 L - 2.8 L)	39" x 24.4" x 19.7" (99 cm x 62 cm x 50 cm)	120V, .55KW, 9A	109 lbs. (49 kg)

Electrical: Line cord included, Nema plug 5-15P. **Color:** Orange. **Fruit Diameter:** All models except JX28MCB = 2.36" - 3.2" (60 mm - 80 mm). JX28MCB = 3" - 3.8" (75 mm - 80 mm). **Options:** Lemon & lime kit for JX28MC* Electrical - 230V, .6KW, 2.5A, 50/60Hz export voltage available*.

*Contact Grindmaster-Cecilware™ for more information, Additional cost applies. Specifications subject to change without notice.



GRINDMASTER-CECILWARE™ 4003 Collins Lane, Louisville, KY 40245 USA

Tel: +1.502.425.4776 / 800.695.4500 (USA & Canada only) • Fax: +1.502.425.4664 • www.grindmaster.com • Email: info@grindmaster.com

© 2010 GRINDMASTER-CECILWARE™ PRINTED IN USA

0810 Form # CW-201-03

A City Discount