

"UBLD-18" UNDERBAR LIQUOR DISPLAY

Slim-Line, 18" Width

FEATURES:

- 18GA Stainless Steel Construction
- Type 300 Stainless Steel With #4 Polish, Satin Finish
- Slim Line 18" Deep Front To Back
- Standard Pre-Drilled Holes On Sides For Attaching Adjacent Units Together
- Stainless Steel Front To Back Bracing
- Angled Dividers For Labeling

SPECIFICATIONS:

- Top: 18GA Type 300 Stainless Steel
- Backsplash: 18GA Type 300 Stainless Steel
- Sides: 18GA Type 300 Stainless Steel
- Bolt On 1-5/8" Stainless Steel Legs For Fast Installation
- 1-1/4" Front To Back Bracing
- 1" Adjustable Stainless Steel Bullet Feet
- Z-Clip To Mount To Wall
- Bolt To Adjacent Underbar Piece
- Mounting Options Allow For Flexible Installation Options To Remove Back Or Front And Back Legs For A Clean Installation

CERTIFICATIONS:



UBLD-1824

ACCESSORIES

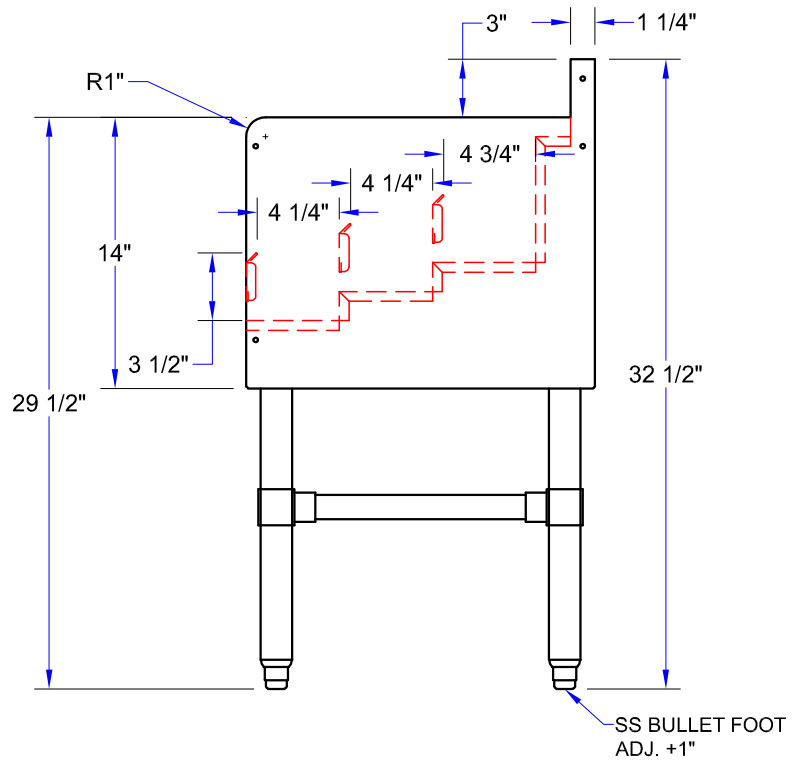
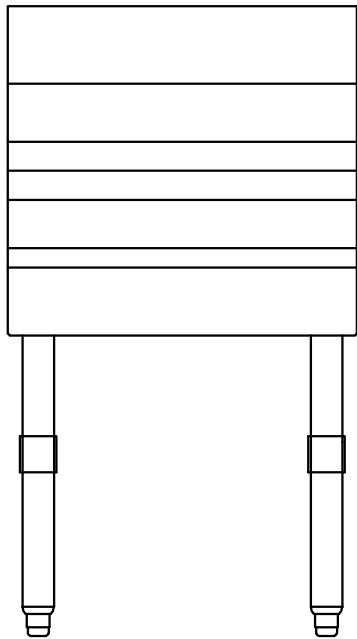
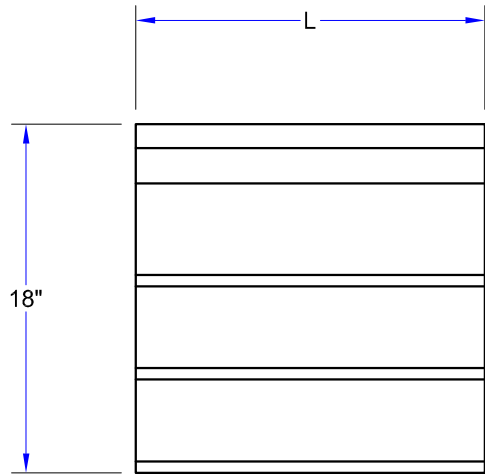
MODEL	DESCRIPTION
UBSS-18-L	Left Hand Side Splash
UBSS-18-R	Right Hand Side Splash

"UBLD-18" UNDERBAR LIQUOR DISPLAY

MODEL	SIZE (LXWXH)	LENGTH (L)	WEIGHT (LBS)
UBLD-1812	12"x18"x32-1/2"	12"	31
UBLD-1818	18"x18"x32-1/2"	18"	35
UBLD-1824	24"x18"x32-1/2"	24"	39

ALL DIMENSIONS ARE TYPICAL. TOLERANCE +/- .500". JOHN BOOS & CO. RESERVES THE RIGHT TO CHANGE SPECIFICATIONS WITHOUT NOTICE.

DETAILED SPECIFICATIONS



"UBLD-18" UNDERBAR LIQUOR DISPLAY

MODEL	SIZE (LXWXH)	LENGTH (L)	WEIGHT (LBS)
UBLD-1812	12"x18"x32-1/2"	12"	31
UBLD-1818	18"x18"x32-1/2"	18"	35
UBLD-1824	24"x18"x32-1/2"	24"	39

ALL DIMENSIONS ARE TYPICAL. TOLERANCE +/- .500". JOHN BOOS & CO. RESERVES THE RIGHT TO CHANGE SPECIFICATIONS WITHOUT NOTICE.