

"PBF-W2-LF" ECONOMY FAUCETS

Low-Lead, Splashmount w/Swing Spout, 4" O.C.

FEATURES:

- Economy Faucet
- Splash Mount - 4" O.C.
- Low-Lead Construction
- 6", 8", or 10" Swing Spout

CERTIFICATIONS:



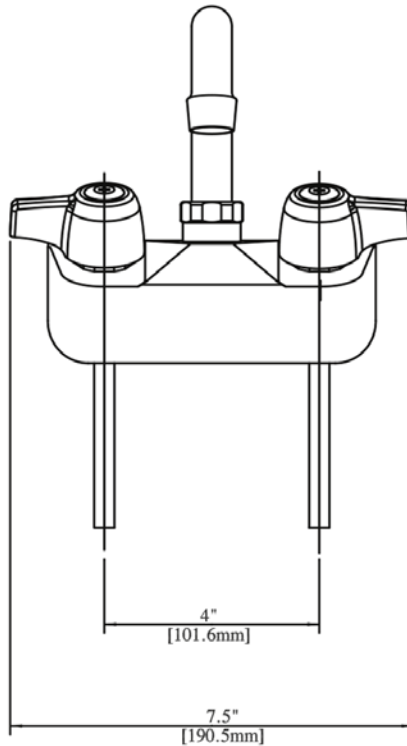
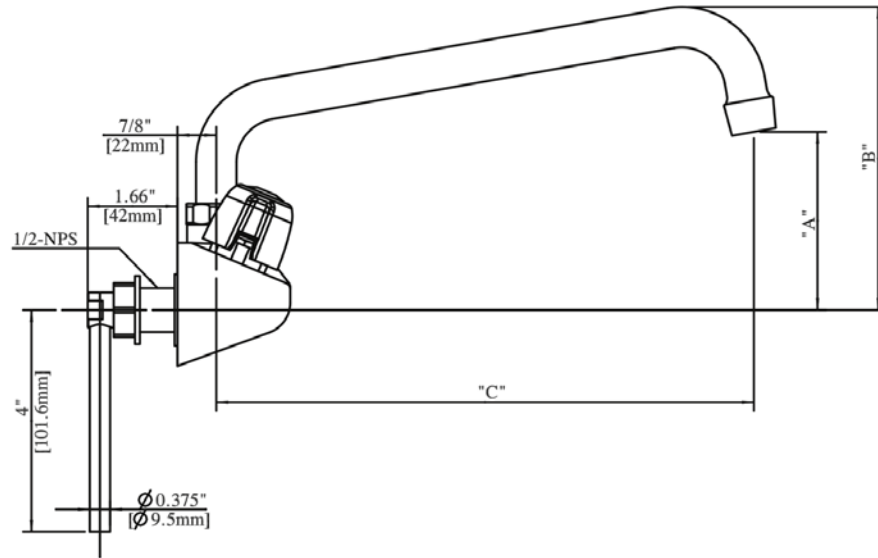
PBF-W2-8LF

"PBF-W2-LF" LOW-LEAD ECONOMY FAUCETS

MODEL	DESCRIPTION	A	B	C	WEIGHT (LBS)
PBF-W2-6LF	6" Swing Spout	1.88"	4.16"	6"	2
PBF-W2-8LF	8" Swing Spout	2.31"	4.56"	8"	3
PBF-W2-10LF	10" Swing Spout	2.69"	4.88"	10"	6

ALL DIMENSIONS ARE TYPICAL. TOLERANCE +/- .500". JOHN BOOS & CO. RESERVES THE RIGHT TO CHANGE SPECIFICATIONS WITHOUT NOTICE.

DETAILED SPECIFICATIONS



"PBF-W2-LF" LOW-LEAD ECONOMY FAUCETS

MODEL	DESCRIPTION	A	B	C	WEIGHT (LBS)
PBF-W2-6LF	6" Swing Spout	1.88"	4.16"	6"	2
PBF-W2-8LF	8" Swing Spout	2.31"	4.56"	8"	3
PBF-W2-10LF	10" Swing Spout	2.69"	4.88"	10"	6

ALL DIMENSIONS ARE TYPICAL. TOLERANCE +/- .500". JOHN BOOS & CO. RESERVES THE RIGHT TO CHANGE SPECIFICATIONS WITHOUT NOTICE.