



KATANA 6 - KATANA 12 PTO

Horizontal bowl cutters



KATANA 6

KATANA 12 PTO

- Designed for high volume production, the Katana series provides homogeneous product texture
- Continuous feed of meats, cheese, salads, dips, spreads, breads and emulsified sausage batters
- Stainless steel AISI 304 construction, for durable long life
- Cutlery grade 3-blade hub to efficiently decrease processing time for faster results, 5000 cuts per minute
- 3-blade Hub driven by powerful ventilated asynchronous motor at 1680 rpm
- Removable bowl cover, 3-blade hub and bowl without tools, for easy cleaning and thorough sanitation.
- Maximum protection against liquid infiltration on the shaft
- 3 5/8" s/steel legs with rubber feet
- Bowl cover safety interlock
- Thermal overload motor protection
- ON/OFF s/steel keypad, IP 67 waterproof. No voltage release

KATANA 12 PTO

- comes standard with PTO hub

Optional

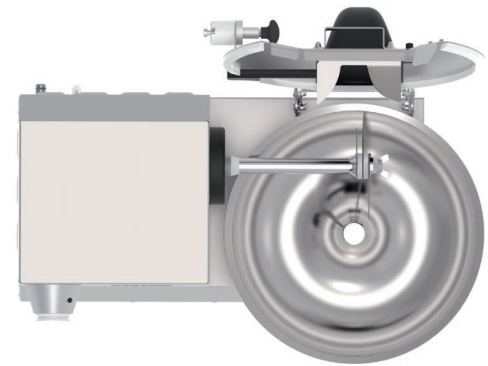
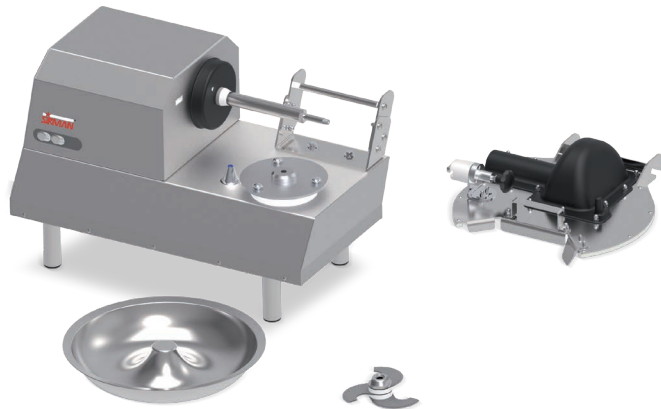
Triple serrated blades hub

Triple unsharpened blades hub

Set of 4 - 28" tall s/steel legs and casters



Certified to UL Standard 763 and NSF Standard 08
 Certified to CSA Standard C22.2



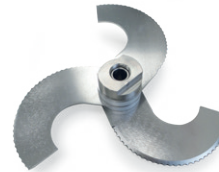
Removable bowl cover, 3-blade hub and bowl without tools,
 for easy cleaning and thorough sanitation



KATANA 12 PTO
 Grinder head not included



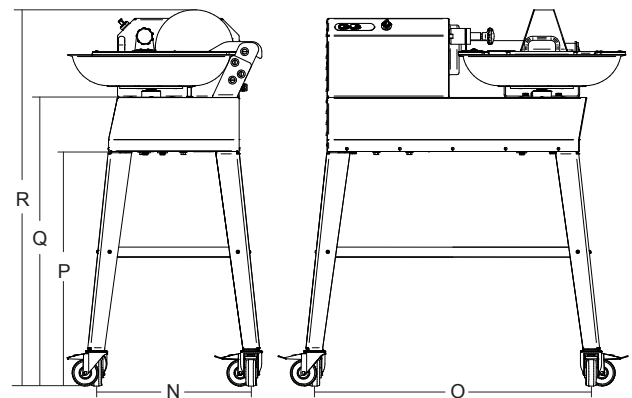
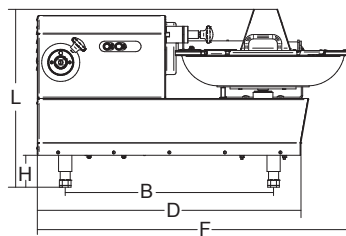
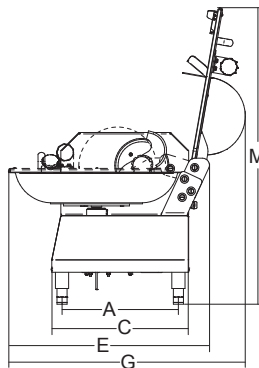
STANDARD
 Hub with 3 blades



OPTIONAL
 Hub with 3 serrated blades



OPTIONAL
 Hub with 3 unsharpened blades



	Power	Power source	Bowl capacity	3-blade hub rotation	A	B	C	D	E	F	G	H	L	M	N	O	P	Q	R	Net weight	Shipping	Gross weight
	watt/Hp		lb	r.p.m.	inch.	inch.	inch.	inch.	inch.	inch.	inch.	inch.	inch.	inch.	inch.	inch.	inch.	inch.	inch.	lbs.	inch.	lbs.
KATANA 6	750/1	120V AC - 60HZ - 6.8A	10	1.680	11 ³ / ₄ "	21 ¹ / ₄ "	14"	28"	20 ¹ / ₃ "	32 ³ / ₄ "	23"	3 ⁵ / ₈ "	18 ⁵ / ₈ "	30"	16 ³ / ₄ "	30 ¹ / ₂ "	28"	34"	42 ⁷ / ₈ "	134	32" x 48" x 34"	220
KATANA 12 PTO	1400/2	120V AC - 60HZ - 12.6A	20	1.680	13 ³ / ₁₆ "	23 ⁵ / ₈ "	15 ¹ / ₂ "	29 ¹³ / ₁₆ "	23 ¹ / ₈ "	35 ¹ / ₂ "	26 ³ / ₄ "	3 ⁵ / ₈ "	20"	33 ¹ / ₂ "	18 ⁵ / ₈ "	33"	28"	34 ³ / ₈ "	44 ¹³ / ₁₆ "	156	32" x 48" x 34"	240