



## MODELS

KFM-OF-(40, 50, 60, 80, 100, 120)-S

KFM-OF-(40, 50, 60, 80, 100, 120)-R

**OPEN FRONT DELI CASE  
DESIGNED FOR FRESH MEAT**

CASE HOLDS 33°F TO 40°F • LOW VELOCITY FORCED AIR REFRIGERATION MAINTAINS HIGH HUMIDITY  
TEMPERED FRONT & SIDE GLASS • CASES CAN BE MULTIPLEXED



Intertek



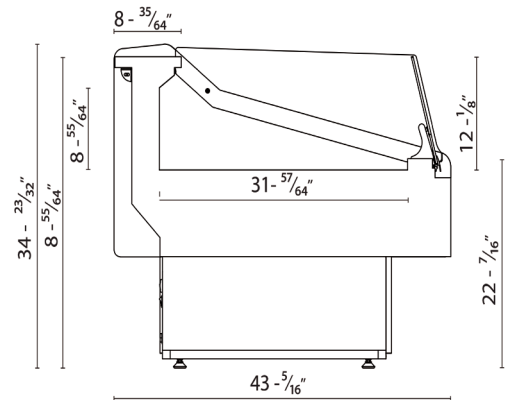
Intertek



AUTODESK®  
REVIT®

| SELF CONTAINED | Model        | O.A. Length (inches) | Volume FT <sup>3</sup> | Electrical 115 Volts |       |                  |          |            | NEMA 115 V Plug | Weight lbs |            | Crate Size (inches) |    |    |
|----------------|--------------|----------------------|------------------------|----------------------|-------|------------------|----------|------------|-----------------|------------|------------|---------------------|----|----|
|                |              |                      |                        | Compressor           |       | LIGHTS Fans HTRS | EVAP PAN | Total Amps |                 | No Crate   | With Crate | L"                  | W" | H" |
|                |              |                      |                        | H.P                  | F.L.A |                  |          |            |                 |            |            |                     |    |    |
|                | KFM-OF-40-S  | 40.4                 | 6.07                   | 3/8                  | 8.4   | 0.65             | 3.3      | 12.38      | 5-15P           | 285        | 445        | 48                  | 44 | 42 |
|                | KFM-OF-50-S  | 52.2                 | 8.00                   | 1/2                  | 9.6   | 0.65             | 3.3      | 13.58      | 5-15P           | 322        | 505        | 59                  | 44 | 42 |
|                | KFM-OF-60-S  | 60                   | 9.29                   | 1/2                  | 9.6   | 0.75             | 3.3      | 13.68      | 5-15P           | 365        | 564        | 67                  | 44 | 42 |
|                | KFM-OF-80-S  | 77.5                 | 12.15                  | 5/8                  | 8.9   | 1.20             | 3.3      | 13.43      | 5-15P           | 451        | 714        | 85                  | 44 | 42 |
|                | KFM-OF-100-S | 101.2                | 16.00                  | 3/4                  | 16    | 1.30             | 3.3      | 20.63      | N/A             | 565        | 844        | 109                 | 44 | 42 |
|                | KFM-OF-120-S | 117                  | 18.58                  | 3/4                  | 16    | 1.40             | 3.3      | 20.73      | N/A             | 680        | 1053       | 124                 | 44 | 42 |

| REMOTE       | Model | O.A. Length (inches) | 115 Volts Total Amps | B.T.U | Weight lbs  |            |
|--------------|-------|----------------------|----------------------|-------|-------------|------------|
|              |       |                      |                      |       | No Crate    | With Crate |
|              |       |                      |                      |       | KFM-OF-40-R | 40.4       |
| KFM-OF-50-R  | 52.2  | 0.2                  | 3015                 | 267   | 450         |            |
| KFM-OF-60-R  | 60    | 0.3                  | 3159                 | 311   | 509         |            |
| KFM-OF-80-R  | 77.5  | 0.3                  | 4345                 | 419   | 681         |            |
| KFM-OF-100-R | 101.2 | 0.4                  | 5112                 | 511   | 789         |            |
| KFM-OF-120-R | 117   | 0.5                  | 5472                 | 615   | 988         |            |



**STANDARD FEATURES**

- CFC free injected foam insulation
- Silver colored PVC coated steel front panel
- PVC coated steel gray interior
- Black steel kick plate
- Stainless steel rear work bench
- Foamed polystyrene black end panels
- Temperature and defrost regulated by a digital controller
- Removable condensate evaporating pan for easy cleaning on self contained units
- Slide out condensing unit on self-contained units
- Digital thermometer
- Levelling feet

**OPTIONAL FEATURES**

- Stainless steel exterior
- Other colors available
- Joining Kit
- Partition
- Condensate evaporating pan for remote cases
- White epoxy bi-level wire racks 2 or 3 level step sham
- Scale stand with receptacle
- Knife support
- Cutting board
- Casters add 4-3/8" to height
- Stainless steel legs are adjustable from 5-1/8" to 7-5/8"

**Standard Mounting**



Levelling Feet

**Optional Mounting**



Adjustable Legs



Casters

**NOTE**

These cases are engineered to operate in locations not exceeding 75°F and 55% R.H. These cases are designed to operate using R404a refrigerant. Alternate refrigerants available by special order. O.A. length includes (2) ends at 1-1/2" each. Ventilation grills at front and back cannot be blocked. B.T.U.'s are calculated at 14°F (evaporator) and 90°F (ambient). Remote cases are provided with an expansion valve and a liquid solenoid for pump down cycle. On remote cases, if no floor drain is provided, a condensate evaporating pan must be ordered and 3.3 amps added to the amp load. Remote cases must be hard wired – no plugs.

**WARRANTY**

One year parts and labor with an additional four years on the compressor (part only)

Tel: 786.600.4687 / Toll Free: 844.218.8477  
Fax: 786.661.4100

Tel: 514.737.9701 / Toll Free: 888.275.4538  
Fax: 514.342.3854 / toll free: 877.453.8832

