



Available in Dark Grey or White finish

MODELS

KGL-OU-36-S

KGL-OU-48-S

KGL-OU-60-S

COMBINATION TYPE CASE

CASE HOLDS 36°F TO 40°F • UPPER SECTION CAN BE OPERATED AS REFRIGERATED OR DRY
MULTIPLE USES • FORCED AIR REFRIGERATION • OPEN FRONT LOWER SECTION
FRONT LOADING LOWER SECTION • TEMPERED GLASS,
REAR SLIDING DOORS IN UPPER SECTION



AUTODESK[®]
REVIT[®]

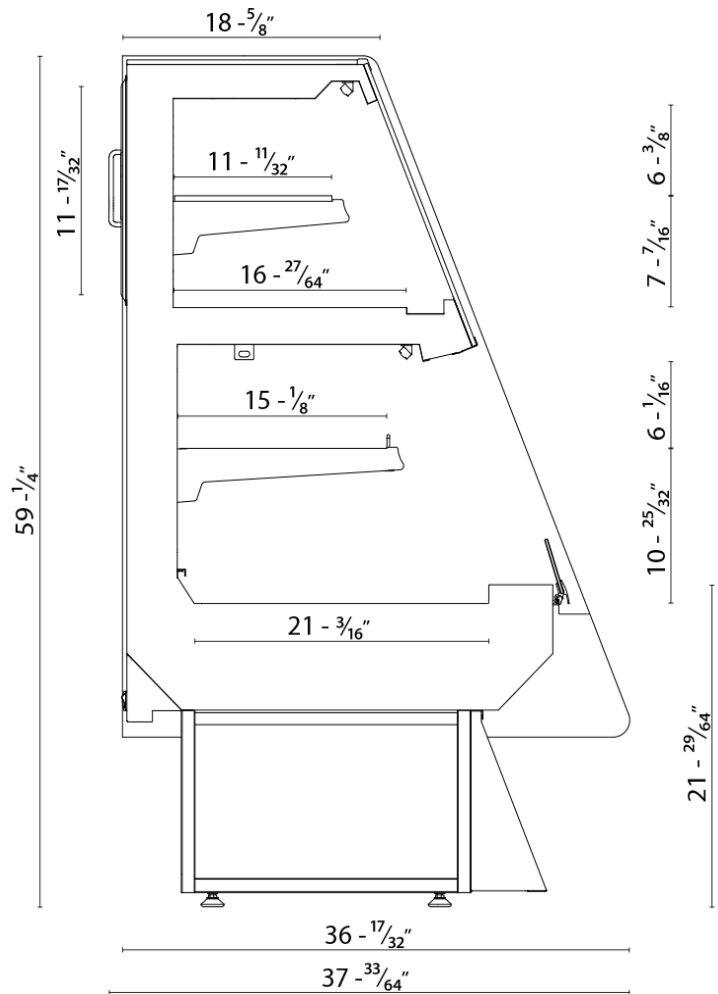
SELF CONTAINED	Model	Width (inches)	Capacity Cu.ft	Electrical			NEMA Plug	Weight lbs		Crate Size (inches)		
				Compressor		Total Amps		Net Weight	Ship Weight	L"	W"	H"
				H.P	Amps							
	KGL-OU-36-S	35.86	7.73	1/2	8.9	16.42	5-20P	485	617	42"	43"	71"
	KGL-OU-48-S	48.03	11	3/4	16	24	Hard-wired	564	708	53"	43"	71"
	KGL-OU-60-S	59.7	13.8	3/4	16	24.06	Hard-wired	668	765	65.6"	43"	71"

STANDARD FEATURES

- CFC free injected foam insulation
- Silver colored PVC coated steel front panel
- PVC coated steel gray interior
- Wood laminate covered end panels
- LED lighting in canopy and under all shelves
- Height adjustable shelves can be tilted
- Temperature and defrost regulated by a digital controller
- Removable condensate evaporating pan for easy cleaning
- Slide out condensing unit on self-contained units

OPTIONAL FEATURES

- Stainless steel front panel
- Stainless steel base and / or interior
- Mirror rear sided doors (upper section)
- Mirrored side glass
- Front panel bumper protector
- PVC coated gray steel folding rear shelf
- Stainless steel folding rear shelf
- Acrylic product partitions
- Shelf price tag moldings
- Casters add 4-3/8" to height
- Stainless steel legs are adjustable from 5-1/8" to 7-5/8"



NOTE

These cases are engineered to operate in locations not exceeding 75°F and 55% R.H. These cases are designed to operate using R404a refrigerant. Alternate refrigerants available by special order. Ventilation grills at front and back cannot be blocked. B.T.U.'s are calculated at 14°F (evaporator) and 90°F (ambient).

WARRANTY

One year parts and labor with an additional four years on the compressor (part only)

Standard Mounting



Levelling Feet

Optional Mounting



Adjustable Legs



Casters



Tel: 786.600.4687 / Toll Free: 844.218.8477

Fax: 786.661.4100



Tel: 514.737.9701 / Toll Free: 888.275.4538

Fax: 514.342.3854 / toll free: 877.453.8832

sales@mvpgroupcorp.com / mvpgroupcorp.com

