

KMS-1401MLJ

SERENITY SERIES

CUBER ICE MACHINE

Item # _____

Project: _____

Qty: _____

KMS-1401MLJ

11/13

Item # 13289

CUBER DIMENSIONS
W x D x H

KMS-1401MLJ
30 x 24 x 28




CONDENSING UNIT DIMENSIONS
W x D x H

Installation Dimension*
SRK-14J / SRK-14J3
52^{3/8} x 19^{1/2} x 43
*Dimensions include legs

Actual Dimension
SRK-14J / SRK-14J3
50 x 17 x 28



KMS-1401MLJ
Remote Air-Cooled
Shown on an optional
Lancer 30" Dispenser

- Up to 1420 lbs. of ice production per 24 hours
- Less heat in the kitchen
- Minimized noise
- Durable stainless steel exterior
- Individual crescent cube ice
- Protected by H-GUARD Plus Antimicrobial Agent 
- CycleSaver® Design 
- EverCheck® alert system 
- Stainless steel evaporator
- Removable water tank - cleaning access to dispenser
- CFC / HFC Free foam
- R-404A Refrigerant
- Not recommended for side-by-side application

Warranty

Valid in United States, Canada, Puerto Rico, & U.S. Territories. Contact factory for warranty in other countries.

Three Year - Parts & Labor on entire machine.

Five Year - Parts & Labor on: Evaporator.

Five Year - Parts on: Compressor, air-cooled condenser coil.



HOSHIZAKI

KMS-140IMLJ CUBER ICE MACHINE SERENITY SERIES

DIMENSIONS
W x D x H
KMS-140IMLJ
30 x 24 x 28

Installation Dimension*
SRK-14J / SRK-14J3
52^{3/8} x 19^{1/2} x 43
*Dimensions include legs

Actual Dimension
SRK-14J / SRK-14J3
50 x 17 x 28

REMOTE AIR - COOLED / SRK-14J

Water Temp ° F.	50°	70°	90°
Air Temp ° F. 70°	1420	1379	1278
Air Temp ° F. 80°	1389	1325	1199
Air Temp ° F. 90°	1379	1280	1162

REMOTE AIR - COOLED / SRK-14J3

Water Temp ° F.	50°	70°	90°
Air Temp ° F. 70°	1400	1365	1266
Air Temp ° F. 80°	1373	1319	1191
Air Temp ° F. 90°	1365	1280	1163

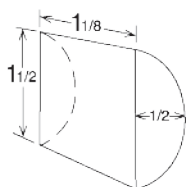
UTILITY CONSUMPTION

Model Number	Ice Production Per Cycle		KWH per 100 LBS. 90/70	Potable Water Gal. per 100 lbs.	Condenser Water Gal. per 100 lbs.
	Lbs.	Cubes			
KMS-140IMLJ with SRK-14J	26.25	1248	4.70	19.5	N/A
KMS-140IMLJ with SRK-14J3	26.25	1248	4.70	20.0	N/A

SPECIFICATIONS

Model Number	Condenser	Amperage	Min. Circuit Ampacity	Shipping Weight
KMS-140IMLJ with SRK-14J	Remote Air-Cooled	13.5	20	177 lbs. 275 lbs.
KMS-140IMLJ with SRK-14J3	Remote Air-Cooled	11.5	20	177 lbs. 275 lbs.

*KM CUBE DIMENSIONS



*approximate size in inches, image not to scale

ELECTRICAL & PLUMBING / KMS-140IMLJ

- 115V/60/1 - Voltage supply for the KMS Ice Maker is supplied from the SRK Remote Condenser
- 1/2" FPT copper or equivalent independent potable water supply
- 3/4" FPT independent drain connection

CONDENSER UNIT / SRK-14J

- 208-230/60/1 (3 wire with neutral for 115V)
- 20 amp Max Fuse/HACR Breaker Size

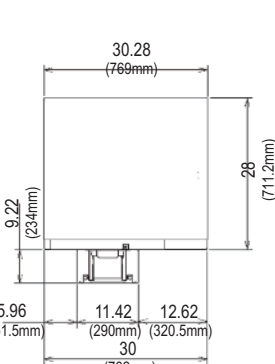
CONDENSER UNIT / SRK-14J3

- 208-230/60/3
- 20 amp Max Fuse/HACR Breaker Size

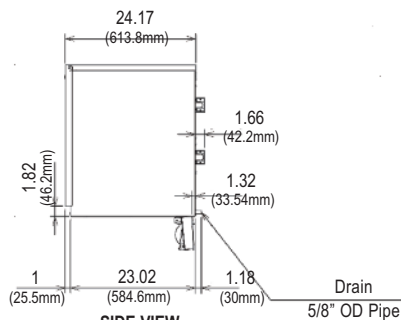


© HOSHIZAKI AMERICA, INC.

618 Hwy. 74 S., Peachtree City, GA 30269

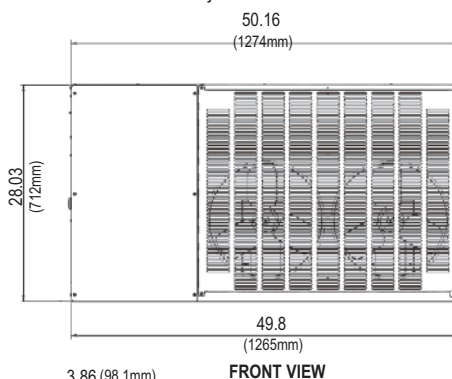


FRONT VIEW

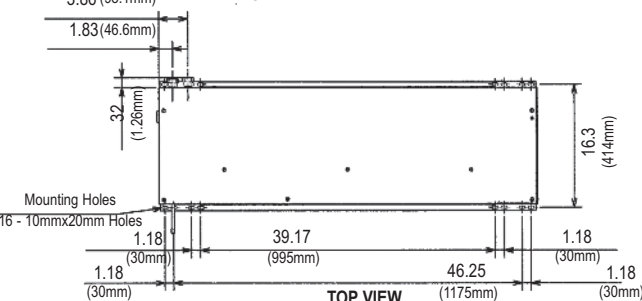


SIDE VIEW

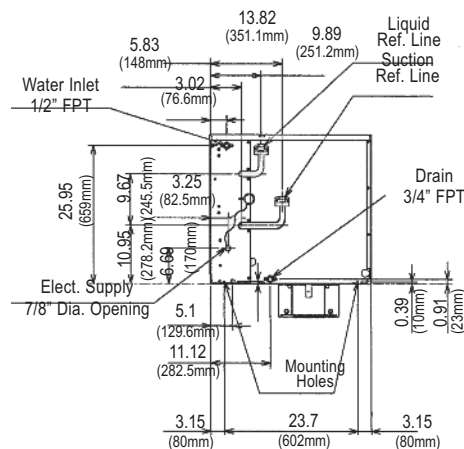
SRK-14J / SRK-14J3 Remote Condensing Unit (Sold Separately)
For Use with KMS-140IMLJ



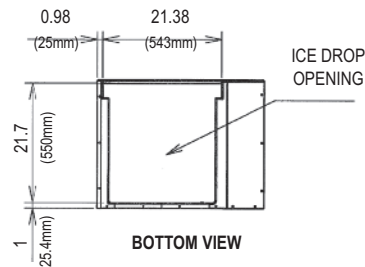
FRONT VIEW



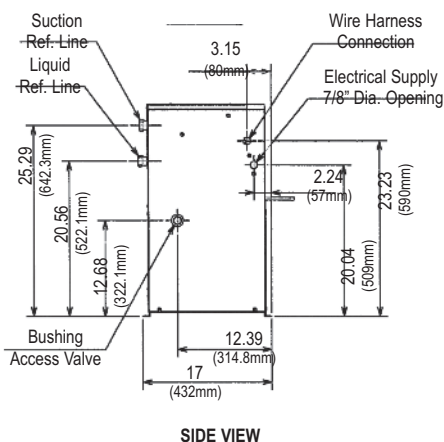
TOP VIEW



BACK VIEW



BOTTOM VIEW



SIDE VIEW

Pre-Charged Tubing Kits (Sold Separately)

- 20" R404-20810
- 35" R404-35810
- 55" R404-55810



Voltage supply for the KMS Ice Maker is supplied from the SRK Remote Condenser.

OPERATING LIMITS

- Ambient Temp Range 45 - 100°F
- Water Temp Range 45 - 90°F
- Water Pressure 10 - 113psig
- Voltage Range 104 - 127V
- Voltage Range 187 - 253V
- Ambient Temp Range -20 - 122° F

SERVICE

- Panels easily removed and all components accessible for service.
- Voltage supply for the KMS Ice Maker is supplied from the SRK Remote Condenser

TEL 1-800-438-6087

FAX 1-800-345-1325

www.hoshizaki.com

Printed in U.S.A.

A City Discount

