

ALUMINUM
KEG RACKS

Item #: _____ **Qty #:** _____
Model #: _____
Project #: _____



FEATURES:

20" Wide fully adjustable shelves.
 (2) Keg storage shelves with 1-3/4" square tubing welded front to back.
 Top shelf with 1-3/4" square tubing welded left to right.
Top Shelf Load Rating - 15 lbs. sq. ft. evenly distributed.
Keg Shelves Load Rating - 60 lb. per sq. ft. evenly distributed load.

CONSTRUCTION:

Shelves: Fully welded 1-3/4" square tubing.
 Upright Posts: 1-5/16" round heavy wall tubing with 4 plastic caps.

MATERIAL:

Extruded Aluminum Tubing & Support Pieces.

| MODEL # | Overall Size L x W x H | # of Kegs Per Unit | Wt. |
|---------|---------------------------|-----------------------|----------|
| KR-42 | 42" x 20" x 76" | 4 | 50 lbs. |
| KR-60 | 60" x 20" x 76" | 6 | 68 lbs. |
| KR-72 | 72" x 20" x 76" | 8 | 80 lbs. |
| KR-80 | 80" x 20" x 76" | 8 | 88 lbs. |
| KR-93 | 93" x 20" x 76" | 10 | 100 lbs. |

**NOTE: Top shelf not recommended for Keg Storage.
 KR-1 recommended to minimize falling kegs.
 (See below)**



OPTIONAL REAR KEG STRAP
MODEL # KR-1 SERIES

FEATURES:

Prevents kegs from sliding off rear of a kegg rack shelf.

CONSTRUCTION:

Fully welded 1-3/4" square tubing.
 Upright Posts: 1-5/16" round heavy wall tubing.

MATERIAL:

Extruded Aluminum Tubing & Support Pieces.

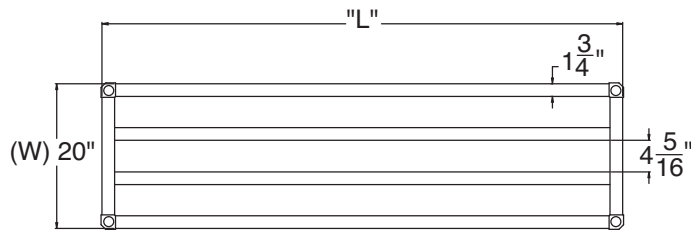
| Accessory | Model # | Qty |
|------------------|---------|-----|
| Rear Strap - 42" | KR-1-42 | |
| Rear Strap - 60" | KR-1-60 | |
| Rear Strap - 72" | KR-1-72 | |
| Rear Strap - 80" | KR-1-80 | |
| Rear Strap - 93" | KR-1-93 | |

| | | | | |
|---|---|--|--|---|
|  <p>ADVANCE TABCO SMART FABRICATION™ www.advancetabco.com</p> | <p>NEW YORK (800) 645-3166 Fax: (631) 242-6900</p> | <p>GEORGIA (800) 832-1218 Fax: (770) 775-5625</p> | <p>TEXAS (800) 527-0353 Fax: (972) 932-4795</p> | <p>NEVADA (800) 446-8684 Fax: (775) 972-1578</p> |
|---|---|--|--|---|

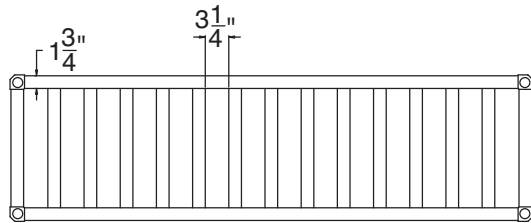
DIMENSIONS and SPECIFICATIONS

TOL ± .500"

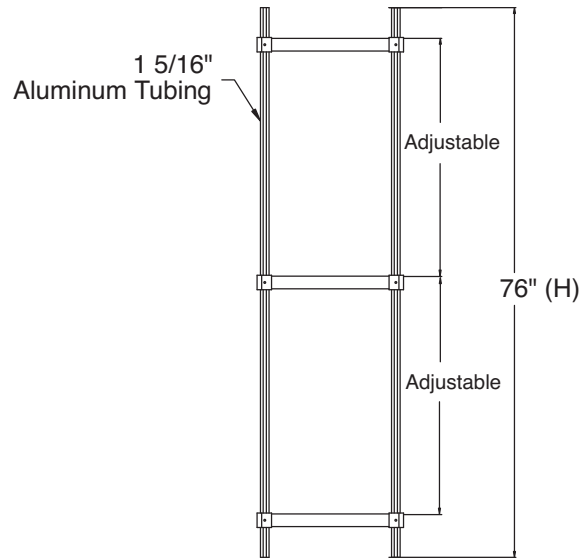
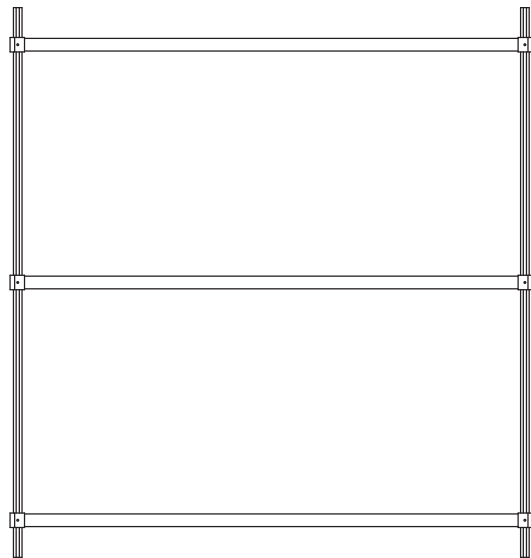
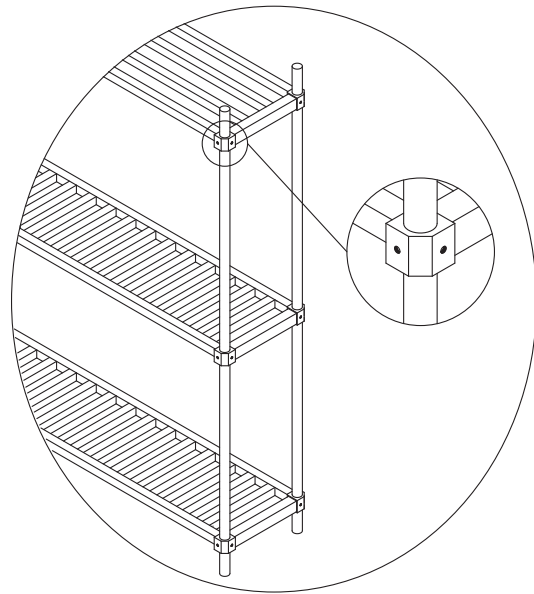
ALL DIMENSIONS ARE TYPICAL



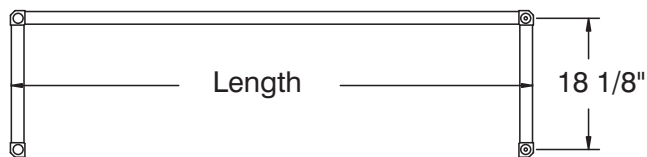
Plan View of Top Shelf



Plan View of Keg Shelves



REAR KEG RACK STRAP



| MODEL # | Length | Wt. |
|---------|--------|---------|
| KR-1-42 | 42" | 6 lbs. |
| KR-1-60 | 60" | 7 lbs. |
| KR-1-72 | 72" | 8 lbs. |
| KR-1-80 | 80" | 9 lbs. |
| KR-1-93 | 93" | 10 lbs. |

