



Model: \_\_\_\_\_ Item #: \_\_\_\_\_ Date: \_\_\_\_\_

Project: \_\_\_\_\_ Qty: \_\_\_\_\_ Approved By: \_\_\_\_\_

# Table Top Liquid CO2 Glass Froster

Royal Series Underbar



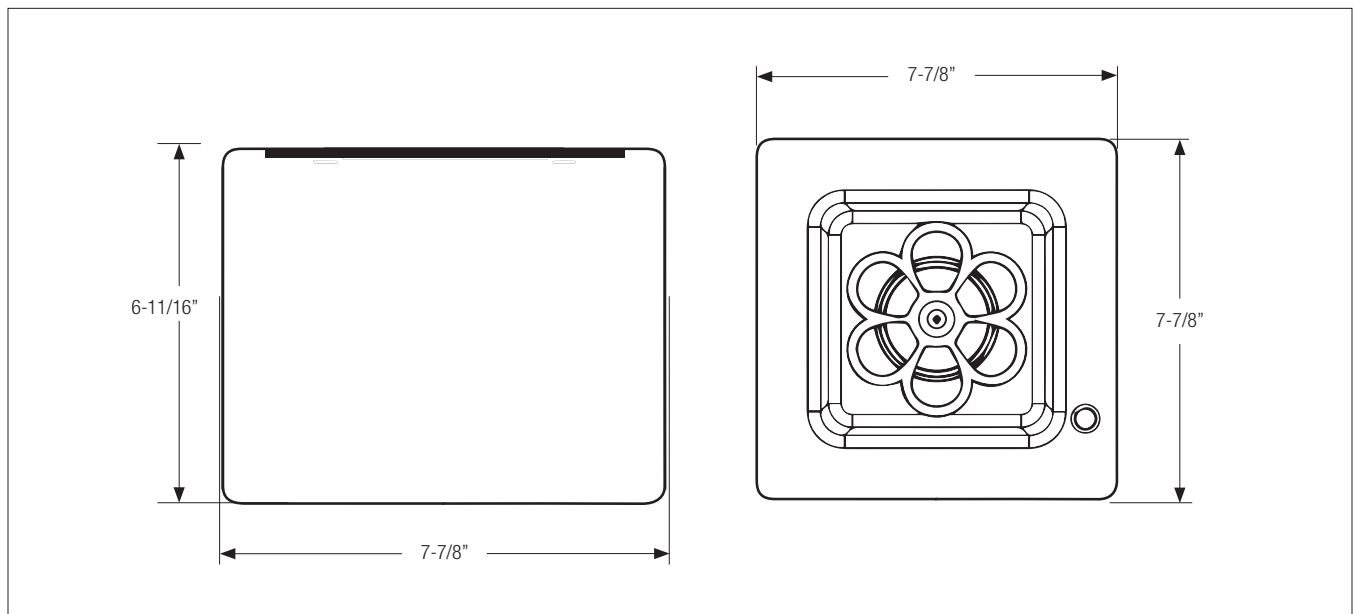
## Standard Features

- Built-in LED light that activates when froster is used
- Includes worktop mounting kit, rechargeable 12V battery and 100/240V AC plug
- High quality, stainless steel construction
- CO2 tank not included (20 lb. aluminum tank with siphon tube recommended)

## Specifications

<b>Dimensions</b>	▪ 7-7/8" x 7-7/8" x 6-11/16"
<b>Unit Weight</b>	▪ 12.8 lbs. with battery (excludes CO2 cylinder) ▪ 9.5 lbs. w/o battery (excludes CO2 cylinder)
<b>Gas Refrigerant</b>	▪ CO2 (food grade) carbon dioxide
<b>Cylinder Type</b>	▪ CO2 cylinder with siphon tube (not included)
<b>CO2 Line Length</b>	▪ Model KR-LC2GF-TT - 10 ft. ▪ Model KR-LC2GF-TT-E - 40 ft.
<b>Power Supply</b>	▪ 14V 4A or 13.8 3.5A is recommended ▪ Rechargeable 12V battery - 100/240V AC plug
<b>Power Input</b>	▪ 100 - 240V AC
<b>Frequency</b>	▪ 50 - 60 Hz
<b>Max Power Capacity</b>	▪ 50W

Model	Description	CO2 Line Length
KR-LC2GF-TT	Glass Froster Table Top	10'
KR-LC2GF-TT-E	Glass Froster Table Top with Extended Line	40'



⚠ Warning: This product can expose you to chemicals including lead and lead compounds which are known to the State of California to cause cancer and birth defects or other reproductive harm. For more information go to [www.P65Warnings.ca.gov](http://www.P65Warnings.ca.gov).

