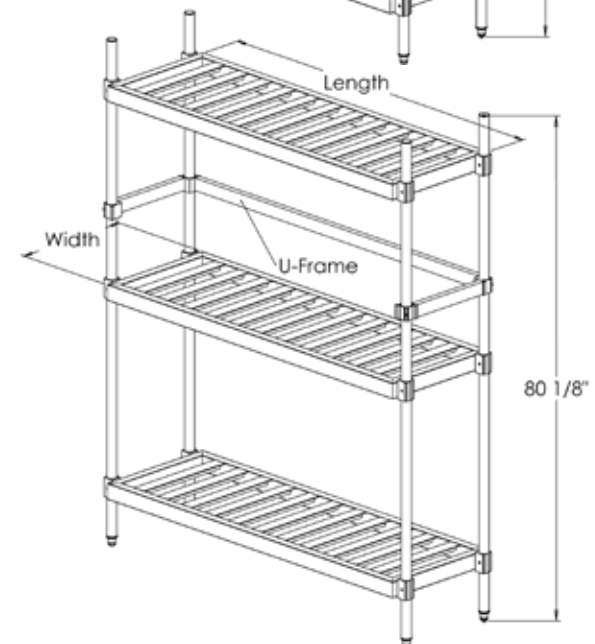
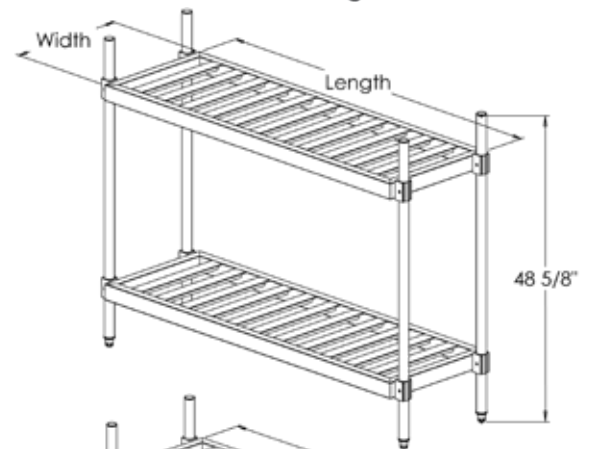


- **Heavy-Duty, Easy Load T-Bar Shelves**
- **Holds All Keg Sizes**
- **Adjustable Bullet Feet**
Adjusts to 1½"
- **Ships "Knock Down"**
With Easy Assembly
- **Shelves Bolt to Posts**
Anti-Slip "Gator Grip" Clamps Mean No Slipping
- **Optional U-Frame for Side Containment**
Can be Added at Any Time
(KR2060-UF, KR2080-UF, KR2093-UF)



KR204736-2

**ANTI-SLIP
"GATOR GRIP" CLAMPS**



Keg Shelving

Model Number	Shelf Qty.	I.D. Shelf Size W x L	O.D. Shelf Size W x L	½ Barrel Keg Capacity
KR204736-2	2	20" x 36"	20" x 36¾"	4 Total, 2 per Shelf
KR204760-2	2	20" x 60"	20" x 63¾"	8 Total, 4 per Shelf
KR204780-2	2	20" x 80"	20" x 83¾"	10 Total, 5 per Shelf
KR204793-2	2	20" x 93"	20" x 96¾"	12 Total, 6 per Shelf
KR2078560-3	3	20" x 60"	20" x 63¾"	12 Total, 4 per Shelf
KR2078580-3	3	20" x 80"	20" x 83¾"	15 Total, 5 per Shelf
KR2078593-3	3	20" x 93"	20" x 96¾"	18 Total, 6 per Shelf

Optional U-Frame:

KR2060-UF	For Use with Models: KR204760-2 & KR2078560-3
KR2080-UF	For Use with Models: KR204780-2 & KR2078580-3
KR2093-UF	For Use with Models: KR204793-2 & KR2078593-3

