



Model: \_\_\_\_\_ Item #: \_\_\_\_\_ Date: \_\_\_\_\_

Project: \_\_\_\_\_ Qty: \_\_\_\_\_ Approved By: \_\_\_\_\_

## 60" - 72" Standard Workstations

Royal Series Underbar



KR24-W66A-10 shown

### Standard Features

- All stations are 24" depth front-to-back
- Built-in 10 circuit cold plate
- 12" deep ice bin
- 12" or 18" blender dump sink with Royal Series faucet
- Sound deadened single speed rail
- Removable bottle wells
- Side splash between ice bin and dump sink



### Specifications

<b>Materials</b>	<ul style="list-style-type: none"> <li>▪ Interior (Ice Bin): 20 gauge stainless steel. 12" deep ice bin section. 10" deep bottle section</li> <li>▪ Blender Shelf: 22 gauge stainless steel</li> <li>▪ Dump Sink (Blender): 20 gauge stainless steel</li> <li>▪ Drainboard: 20 gauge stainless steel</li> <li>▪ Front Apron: 20 gauge stainless steel clad over 20 gauge galvanized steel</li> <li>▪ Backsplash: 20 gauge stainless steel</li> <li>▪ Back &amp; Bottom: 20 gauge galvanized steel</li> </ul>
<b>Drains &amp; Plumbing</b>	<ul style="list-style-type: none"> <li>▪ Hot &amp; Cold Water: 1/2" IPS</li> <li>▪ Ice Bin with Cold Plate: 1/2" IPS Drain connection. 4" PVC tailpiece provided. PVC tailpiece required to avoid condensation through metal to metal contact.</li> <li>▪ Ice Bin with No Cold Plate: 1" IPS Drain connection</li> <li>▪ Drainboard: 1" IPS drain connection</li> <li>▪ Dump Sink: 1-1/2" IPS drain connection</li> </ul>
<b>Cold Plate</b>	<ul style="list-style-type: none"> <li>▪ Cast aluminum post mix plate with 10 circuits. Plate is sealed into bottom. Each circuit is 5/16" OD stainless steel tubing. Two full with remainder to be half circuits. Bump and swedge fittings on ends.</li> </ul>
<b>Tubing Access (Cold Plate)</b>	<ul style="list-style-type: none"> <li>▪ 3/4" x 3-1/2" cutout in left side of backsplash</li> </ul>
<b>Bowl Size (Dump Sink)</b>	<ul style="list-style-type: none"> <li>▪ 12"W Dump Sink bowl size: 10" x 12" x 7", 18"W Dump Sink bowl size: 14" x 10" x 7"</li> </ul>
<b>Electrical (Blender)</b>	<ul style="list-style-type: none"> <li>▪ Duplex outlet located underneath blender shelf</li> </ul>
<b>Insulation (Ice Bin)</b>	<ul style="list-style-type: none"> <li>▪ Foamed-in-place polyurethane</li> </ul>
<b>Faucet</b>	<ul style="list-style-type: none"> <li>▪ 4" Center wall or deck mount faucet with 1/4 turn ceramic cartridge valves</li> </ul>
<b>Backsplash</b>	<ul style="list-style-type: none"> <li>▪ 6-1/2"H x 1-1/2"D</li> </ul>
<b>Side Splash</b>	<ul style="list-style-type: none"> <li>▪ Included when Ice Bin is adjacent to Blender Dump Sink</li> </ul>
<b>Legs</b>	<ul style="list-style-type: none"> <li>▪ 1-5/8" tubular 16 gauge stainless steel legs with grey plastic bullet foot</li> </ul>

### Optional Accessories

Model	Description	Model	Description
KR-101	Condiment Tray	SC"XX"H	Partial Sliding Cover for Ice Bin ("XX" denotes size of Ice Bin)
KR-103	Stainless Steel Divider	SC"XX"F	Full Sliding Cover for Ice Bin ("XX" denotes size of Ice Bin)
KR-313	Left and Right Side Splash	KR-501	Towel Ring
KR-314	Right End Splash	30-160	Perforated Dump Basket
KR-315	Left End Splash	KR-806	Upgrade: 6" Longer Stainless Steel Legs
KR-PE"XX"	Drop-in Perforated Drainboard Top		



Model: \_\_\_\_\_ Item #: \_\_\_\_\_ Date: \_\_\_\_\_

Project: \_\_\_\_\_ Qty: \_\_\_\_\_ Approved By: \_\_\_\_\_

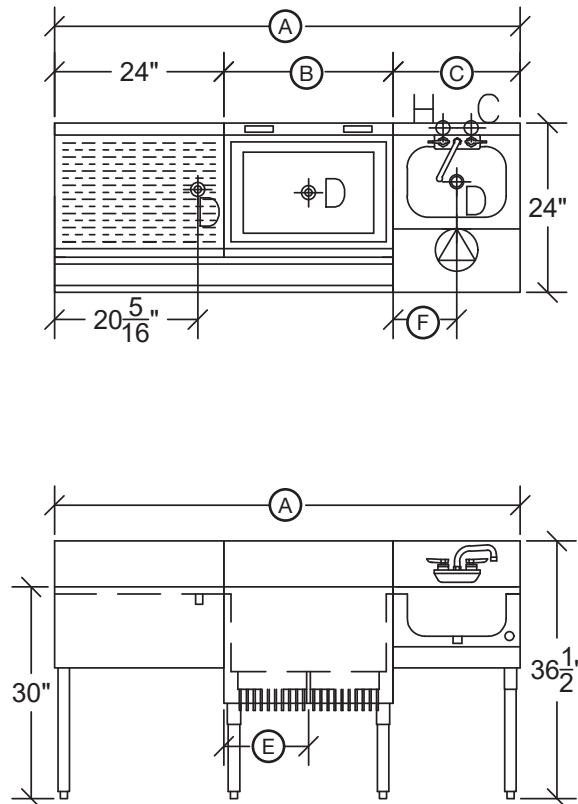
# 60" - 72" Standard Workstations

Royal Series Underbar

Model	Overall Length (A)	Ice Bin Length (B)	Blender Dump Sink Length (C)	Drainboard Length (D)	Ice Bin Drain (E)	Blender Drain Location (F)	Drainboard Style	Ice Capacity (lbs.)	Cold Plate Circuits	Weight (lbs.)
KR24-W60A-10	60"	24"	12"	24"	12"	6"	Standard	74 lbs.	10 circuit	220 lbs.
KR24-W66A-10	66"	24"	18"	24"	12"	9"	Standard	74 lbs.	10 circuit	250 lbs.
KR24-W72A-10	72"	30"	18"	24"	15"	9"	Standard	92 lbs.	10 circuit	280 lbs.
KR24-W60B-10	60"	36"	12"	12"	18"	6"	Recessed	110 lbs.	10 circuit	220 lbs.
KR24-W66B-10	66"	36"	12"	18"	18"	6"	Recessed	110 lbs.	10 circuit	250 lbs.
KR24-W72B-10	72"	36"	18"	18"	18"	9"	Recessed	110 lbs.	10 circuit	280 lbs.

**Mechanical Requirements:** 1/2" IPS hot and cold water. 1" IPS drain connection without Cold Plate. 1/2" IPS drain connection with Cold Plate. 1-1/2" IPS drain connection on Dump Sink.

## Standard Drainboard Workstation



## Recessed Drainboard Workstation

