



Model: _____ Item #: _____ Date: _____

Project: _____ Qty: _____ Approved By: _____

PASS THRU ICE BIN / CHILLMASTER BEER BIN

Royal Series Underbar

Pass Thru Ice Bin

KRPT-2436-10 shown



Chillmaster Beer Bin

KR24-CB48 shown



Optional Accessories

KR-111	Condiment Tray for Pass Thru
KR-112	Stainless Steel Large Divider for Pass Thru
KR-115	Stainless Steel Divider for Beer Bin
KR-310	Right End Splash for Beer Bin
KR-311	Left End Splash for Beer Bin
KR-322	Partial Sliding Cover for Pass Thru (Using Bottle Wells)
KR-323	Full Sliding Cover for Pass Thru (No Bottle Wells)
KR-BR1	Bottle Wells for Pass Thru
KR-401	Cap Catcher and Bottle Opener
KR-501	Towel Ring
KR-503	Crossbraced Casters (30" Working Height)

Standard Features

Interior	20 gauge stainless steel
Backsplash	20 gauge stainless steel
Sides	20 gauge stainless steel
Back & Bottom	20 gauge stainless steel
Legs	1-5/8" tubular 16 gauge stainless steel w/ grey plastic bullet foot
Insulation	Foamed-in-place polyurethane
Plumbing	Cold Plate: 1/2" IPS drain connection No Cold Plate: 1" IPS drain connection



Conforms to NSF St. 2

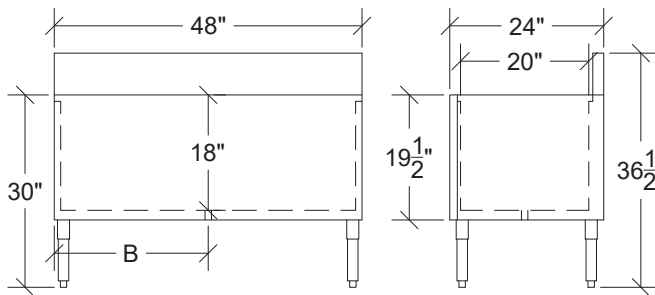
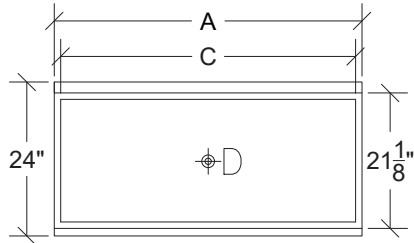


Model: _____ Item #: _____ Date: _____
 Project: _____ Qty: _____ Approved By: _____

PASS THRU ICE BIN / CHILLMASTER BEER BIN

Royal Series Underbar

KR24-CB48



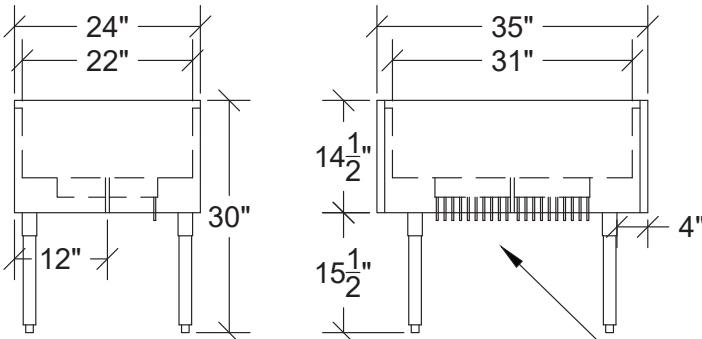
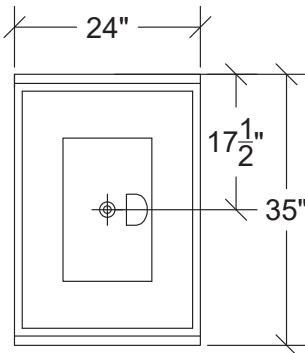
Model Numbers	Length A	Left Side to Drain B	Inside Bin Dimensions C	Case Capacity	Weight (lbs.)
KR24-CB36	36"	18"	20" x 34"	9	165
KR24-CB48	48"	24"	20" x 46"	12	205
KR24-CB60	60"	30"	20" x 58"	15	235

MECHANICAL REQUIREMENTS: 1" IPS drain connection



Conforms to NSF St. 2

KRPT-2436-10



Model Numbers	Width	Depth	Overall Depth A	Leg Size B	Cold Plate Circuits	Ice Capacity (lbs.)	Weight (lbs.)
KRPT-1836	1'-6"	2'-11"	11 1/2"	18 1/2"	N/A	130	90
KRPT-1836-10	1'-6"	2'-11"	14 1/2"	15 1/2"	10	130	105
KRPT-2436	2'-0"	2'-11"	11 1/2"	18 1/2"	N/A	175	106
KRPT-2436-10	2'-0"	2'-11"	14 1/2"	15 1/2"	10	175	179

MECHANICAL REQUIREMENTS: Cold Plate: 1/2" IPS drain connection No Cold Plate: 1" IPS drain connection



Conforms to NSF St. 2