



COMMERCIAL

Refrigeration Equipment Mega Top Table, 29" with 2 drawers and 9GN1/6+3GN1/9 containers - Stainless Steel (R290)

ITEM # _____

MODEL # _____

NAME # _____

SIS # _____

AIA # _____



738286 (KCHMT29.12.2D)

2-drawer mega top preparation table, 29", R290 refrigerant gas, +33/+41°F, stainless steel

Short Form Specification

Item No. _____

2-drawer mega top refrigerated preparation table. Exterior back panel in aluminum, exterior bottom panel in galvanized steel, exterior side and top panel in 430 stainless steel; interior back, top and interior bottom panels in 304 stainless steel, worktop in 430 stainless steel.

Built-in refrigeration unit and an insulated lid to maintain food freshness. Fin & Tube Condenser improves performance in high-temperature environments. Automatic Defrost Cooling System to provide worry-free performances.

Control panel, Vinyl-Coated Steel adjustable shelves, removable door gaskets and self-closing doors with 90-degree stay-open feature.

Temperature range: +33/+41°F.

R290 gas in the refrigeration circuit.

ETL Safety and Sanitation certifications.

3/5 Years warranty.

Main Features

- Removable door gasket for easy cleaning operations.
- Hydrocarbon refrigerant gas R290 for the lowest environmental impact (GWP=3) - CFC and HCFC free.
- Fin & Tube Condenser improves performance in high temperature environments.
- Automatic Defrost Cooling System provides worry-free performance.
- Electronic Temperature Control, quick and simple to set, with control display for easy monitoring.
- Full Depth cutting board.
- External temperature display.
- High efficiency components to minimize the energy consumption still guaranteeing the highest performances.
- Cabinet and door insulated with high density polyurethane for low environmental impact.
- Heavy duty Vinyl coated steel shelves.
- CFC and HCFC free, highly ecological refrigerant type: R290 (ecological gas in foam: cyclopentane). Hydrocarbon refrigerant gas R290 for the lowest environmental impact (GWP=3), to reduce green house and ozone depletion effects.

Construction

- Self-closing door with 90-degree stay-open feature.
- Heavy duty casters.
- Insulated lid maintains food freshness.
- Pre-wired heavy duty power cord.
- Heavy duty door hinges.
- Magnetic door gasket removable without tools for easy cleaning.

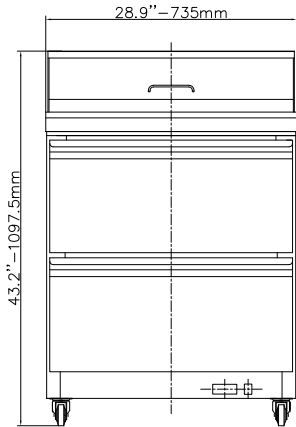
Optional Accessories

- pan divider for mega top PNC 880612

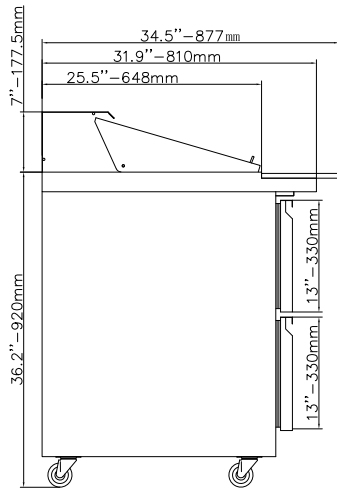


APPROVAL: _____

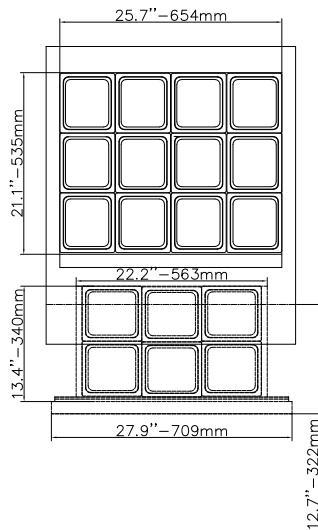
Front



Side



Top



EI = Electrical connection
RI = Refrigerant Inlet
RO = Refrigerant Outlet

Electric

Supply voltage:
 738286 (KCHMT29.12.2D) 115 V/1 ph/60 Hz
Electrical power, max: 0.5 kW
Current consumption: 5 Amps
Plug type: USA NEMA 5-15P

Capacity:

Gross capacity: 7 cu.feet

Key Information:

External dimensions, Width: 28 7/8" (735 mm)
External dimensions, Depth: 34 1/2" (877 mm)
External dimensions, Height: 43 1/4" (1097.5 mm)
Number and type of doors:
Internal Dimensions (depth): 23 13/16"
Internal Dimensions (height): 23 1/2"
Internal Dimensions (width): 24 1/16"
Shipping height: 47 1/4" (1200 mm)
Shipping weight: 231 lbs (105 kg)
Shipping volume: 28.57 ft³ (0.81 m³)
Number and type of grids (included): 1 - Vinyl-Coated Steel
Type of external material: Stainless Steel
Type of internal material: Polystyrene
Warranty: 3 / 5 years

Refrigeration Data

Compressor power:
Refrigerant type: R290
Refrigerant weight: 85 g
Operating temperature min.: 32 °F
Operating temperature max.: 41 °F
Condenser type: Fin & tube
Defrost type: Auto Defrost