

**Refrigeration Equipment  
Bottle Cooler with Slide Top,  
10 cu.ft, 25" (R600a)**

ITEM # \_\_\_\_\_

MODEL # \_\_\_\_\_

NAME # \_\_\_\_\_

SIS # \_\_\_\_\_

AIA # \_\_\_\_\_



738294 (HC-B36A)

1-door bottle cooler with slide top, 25", R600a refrigerant gas, +33/+41 °C, black

**Short Form Specification**

**Item No.** \_\_\_\_\_

Bottle cooler with slide top. Exterior back and side panels in painted steel, exterior bottom panel in galvanized steel, top panel in 304 stainless steel; interior back and side panels in 430 stainless steel, interior bottom panel and worktop in 304 stainless steel. Fin & tube condenser to improve the performances in high temperature environments. Automatic Defrost Cooling System and electronic temperature control.

Vinyl-coated steel adjustable dividers and locking lids.

R600a gas in refrigeration circuit.  
ETL Safety and Sanitation certified.  
3/5 Years warranty.

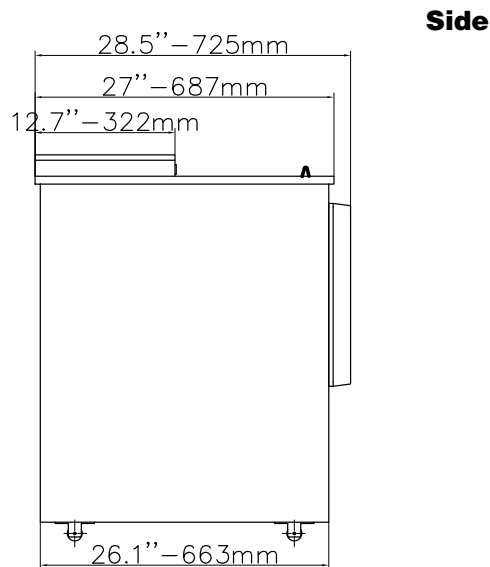
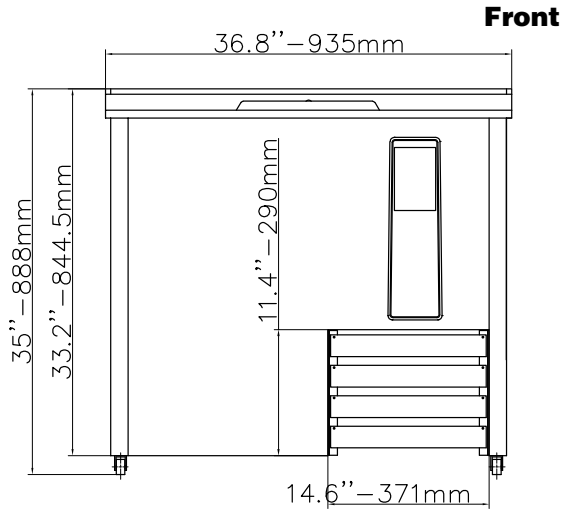
**Main Features**

- Fin & Tube Condenser improves performance in high temperature environments.
- Automatic Defrost Cooling System provides worry-free performance.
- Vinyl-Coated Steel adjustable dividers to customize bottle storage effortlessly.
- Locking doors.
- External temperature display.
- High efficiency components to minimize the energy consumption still guaranteeing the highest performances.
- Cabinet and door insulated with high density polyurethane for low environmental impact.
- Locking lids.

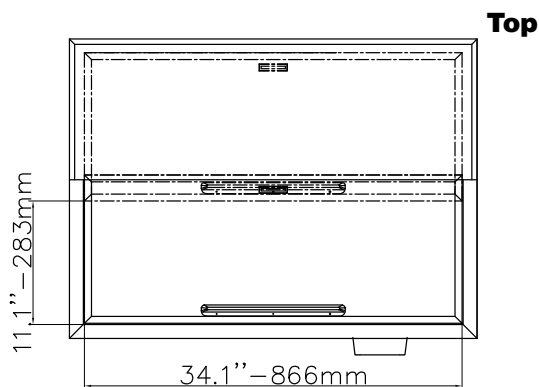
**Construction**

- CFC and HCFC free (ecological refrigerant type: R600a).
- Pre-wired heavy duty power cord.
- Electronic control to select temperatures.

APPROVAL: \_\_\_\_\_



**EI** = Electrical connection  
**RI** = Refrigerant Inlet  
**RO** = Refrigerant Outlet



## Electric

<b>Supply voltage:</b>	115 V/1 ph/60 Hz
<b>738294 (HC-B36A)</b>	
<b>Electrical power, max:</b>	0.2 kW
<b>Current consumption:</b>	1.5 Amps
<b>Plug type:</b>	USA NEMA 5-15P

## Capacity:

<b>Gross capacity:</b>	10 cu. feet
------------------------	-------------

## Key Information:

<b>External dimensions, Width:</b>	36 13/16" (935 mm)
<b>External dimensions, Depth:</b>	27 1/64" (725 mm)
<b>External dimensions, Height:</b>	35 " (888 mm)
<b>Internal Dimensions (depth):</b>	26 1/16"
<b>Internal Dimensions (height):</b>	22 15/16"
<b>Internal Dimensions (width):</b>	60 3/8"
<b>Shipping height:</b>	39 3/4" (1010 mm)
<b>Shipping weight:</b>	212 lbs (96 kg)
<b>Shipping volume:</b>	25.25 ft <sup>3</sup> (0.72 m <sup>3</sup> )
<b>Type of external material:</b>	Black Prepainted Steel
<b>Type of internal material:</b>	Stainless Steel
<b>Warranty:</b>	3 / 5 years

## Refrigeration Data

<b>Compressor Horsepower:</b>	1/6
<b>Refrigerant type:</b>	R600a
<b>Refrigerant weight:</b>	100 g
<b>Operating temperature min.:</b>	32 °F
<b>Operating temperature max.:</b>	41 °F
<b>Condenser type:</b>	Fin & tube