

**Refrigeration Equipment
Beer Dispenser with 1 door
and 1 beer column (R600a)**

ITEM # _____

MODEL # _____

NAME # _____

SIS # _____

AIA # _____



738295 (BCBD1)

1-door back bar beer dispenser refrigerator with 1 beer columns, black solid door, 25", R290 refrigerant gas, +33/+41°C

Short Form Specification

Item No. _____

Beer dispenser with 1 door and 1 column. Exterior back and bottom panel in galvanized steel, top panel in 304 stainless steel and exterior panel in painted steel; interior back and side panels in 430 stainless steel, interior bottom panel and worktop in 304 stainless steel. Fin & tube condenser to improve the performances in high temperature environments. Automatic Defrost Cooling System and temperature control.

Vinyl heavy duty adjustable, easy to handle and clean shelves.

R600a gas in refrigeration circuit.

ETL Safety and Sanitation certified.

3/5 Years warranty.

APPROVAL: _____

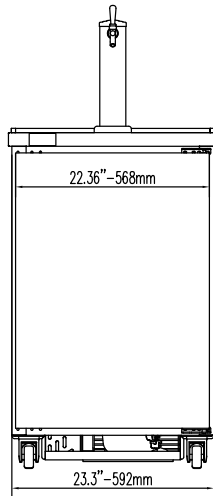
Main Features

- Hydrocarbon refrigerant gas R290 for the lowest environmental impact (GWP=3) - CFC and HCFC free.
- Designed to accommodate a variety of beer kegs.
- 3" (77 mm) diameter stainless steel insulated beer column. Cold air is channeled directly into beer column to reduce foaming and maximize draft beer profits.

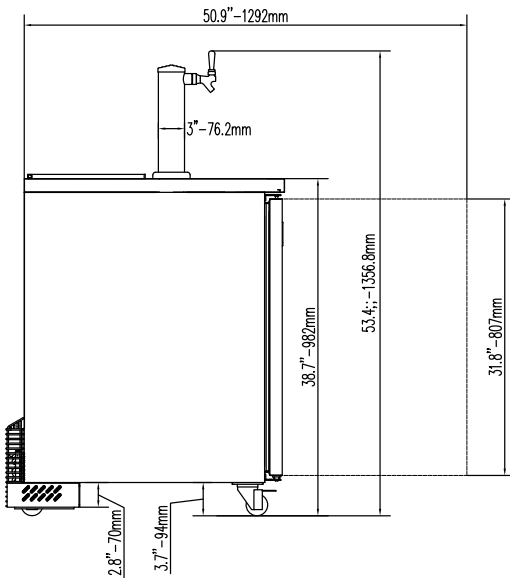
Construction

- Stainless Steel, bottom S/S 430 interior and powder-coated steel black exterior.
- Self-closing door with 90-degree stay-open feature.

Front

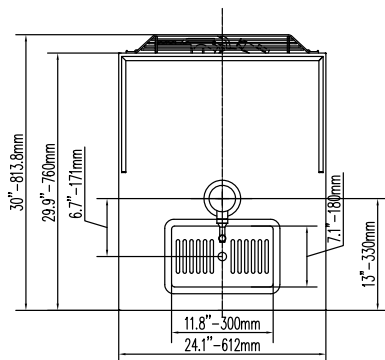


Side



EI = Electrical connection
RI = Refrigerant Inlet
RO = Refrigerant Outlet

Top



Electric

Supply voltage:	738295 (BCBD1)	115 V/1 ph/60 Hz
Electrical power, max:		0.3 kW
Current consumption:		3 Amps
Plug type:		USA NEMA 5-15P

Capacity:

Gross capacity:	9 cu.feet
-----------------	-----------

Key Information:

Door hinges:	
External dimensions, Width:	24 1/16" (612 mm)
External dimensions, Depth:	29 15/16" (813.8 mm)
External dimensions, Height:	51 5/8" (1356.8 mm)
Number and type of doors:	1 Full
Internal Dimensions (depth):	19 11/16"
Internal Dimensions (height):	30 1/2"
Internal Dimensions (width):	20 "
Shipping height:	43 11/16" (1400 mm)
Shipping weight:	165 lbs (75 kg)
Shipping volume:	22.42 ft ³ (0.63 m ³)
Number and type of grids (included):	4 - Vinyl-Coated Steel
Type of external material:	Black Prepainted Steel
Type of internal material:	Stainless Steel
Warranty:	3 / 5 years

Refrigeration Data

Compressor Horsepower:	1/5
Refrigerant type:	R600a
Refrigerant weight:	90 g
Operating temperature min.:	35.6 °F
Operating temperature max.:	42.8 °F
Condenser type:	Fin & tube

Refrigeration Equipment
Beer Dispenser with 1 door and 1 beer column (R600a)

The company reserves the right to make modifications to the products without prior notice. All information correct at time of printing.

