

Refrigeration Equipment Merchandiser Freezer, 72 cu. ft, 3 Glass Door, black (R290)

ITEM # _____

MODEL # _____

NAME # _____

SIS # _____

AIA # _____



738310 (KCHGM72F)

3-glass door merchandiser
freezer, black, 72 cubic feet,
R290 refrigerant gas, -9°F

Short Form Specification

Item No. _____

3-glass door freezer with exterior back and bottom panel in galvanized steel, exterior side, and top in painted steel; interior back, side top and bottom panels in 304 stainless steel.

Electronic control.

R290 gas in refrigeration circuit.

ETL Safety and Sanitation certified.

3/5 Years warranty.

Main Features

- External temperature display.
- Interior LED light to save energy and for best internal visibility.
- Removable gasket for easy cleaning operations.
- Fin & Tube Condenser improves performance in high temperature environments.
- Automatic Defrost Cooling System provides worry-free performance.
- Heavy duty Vinyl coated steel shelves.
- High efficiency components to minimize the energy consumption still guaranteeing the highest performances.
- Cabinet completely insulated with high density polyurethane for low environmental impact.

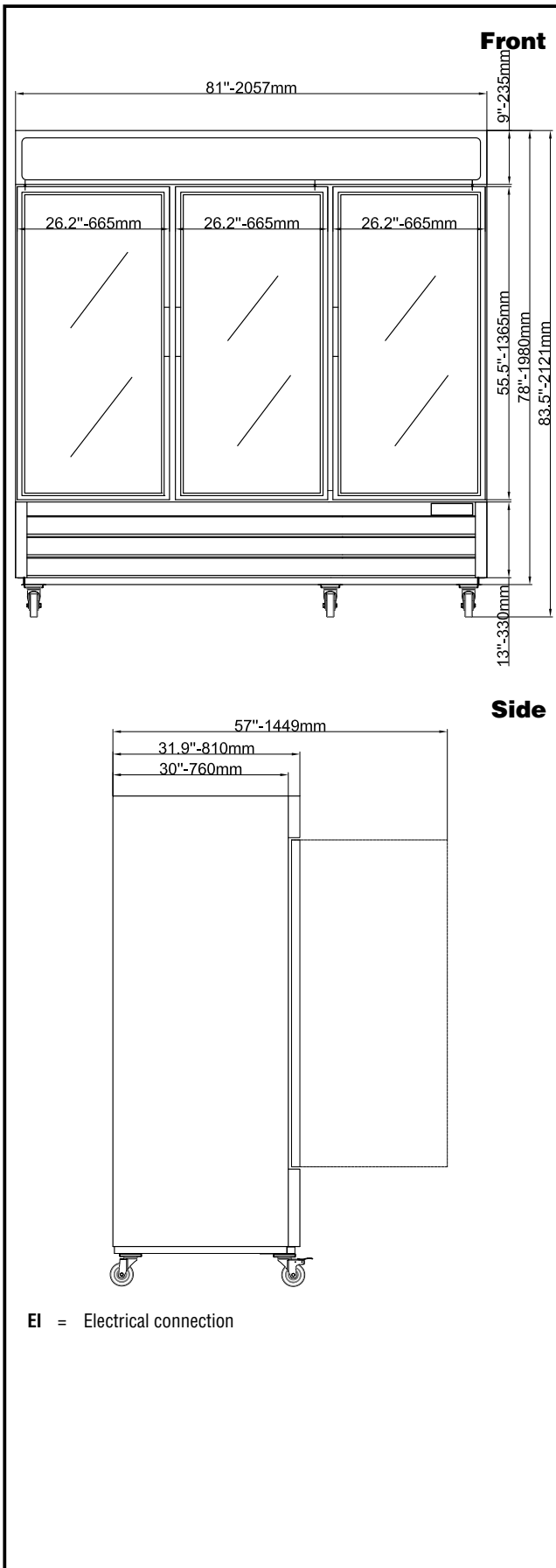
Construction

- Lockable door.
- Refrigerant type: R290.
- Electronic control to select temperatures.
- Pre-wired heavy duty power cord.
- Heavy duty door hinges.
- Magnetic gasket removable without tools for easy cleaning.

Optional Accessories

- shelf for 48" and 72" (left/right) merchandiser PNC 880594
- middle shelf for 72" merchandiser PNC 880595
- shelf clips PNC 880611

APPROVAL: _____



Electric

Supply voltage:	738310 (KCHGM72F)	220 V/1 ph/60 Hz
Current consumption:		9 AMPS
Plug type:		USA NEMA L14-20P

Key Information:

Capacity (Cu.Ft.)	72
Door hinges:	Right Side
External dimensions, Width:	76 7/16" (1941 mm)
External dimensions, Depth:	27 9/16" (700 mm)
External dimensions, Height:	59 1/16" (1501 mm)
Number and type of doors:	3 Glass
Internal Dimensions (depth):	27 9/16"
Internal Dimensions (height):	59 1/16"
Internal Dimensions (width):	76 7/16"
Shipping height:	85 13/16" (2180 mm)
Shipping weight:	820 lbs (372 kg)
Shipping volume:	142.86 ft ³ (4.05 m ³)
Number and type of grids (included):	12 - Vinyl-Coated Steel
Type of external material:	Black Prepainted Steel
Type of internal material:	White Prepainted Aluminium
Warranty:	3 / 5 years

Refrigeration Data

Compressor Horsepower:	1 1/4
Refrigeration type:	R290
Refrigerant weight:	150 g
Operating temperature min.:	-7.6 °F
Operating temperature max.:	-4 °F
Condenser type:	Fin & tube
Defrost type:	Auto Defrost