



Model: **10-435L** Item #: _____ Date: _____

Project: _____ Qty: _____ Approved By: _____

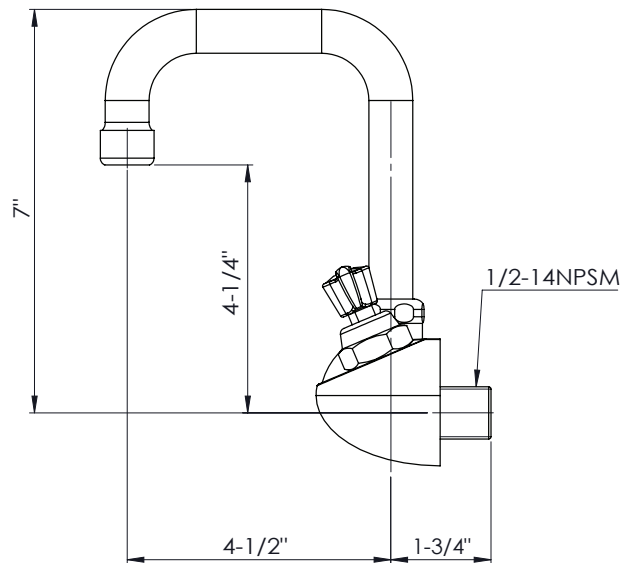
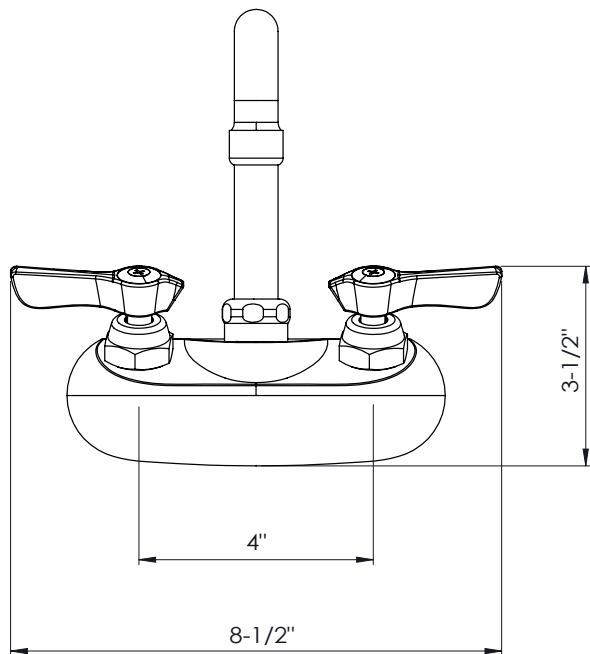
4" Center Wall Mount Faucet w/ 4-1/2" Double Bend Spout

Plumbing



STANDARD FEATURES

- 4" Center Wall Mount
- 1/2" NPT male inlets
- 4-1/2" Double Bend spout
- 1/4 Turn Cartridge Valves



PRODUCT COMPLIANCE

- ASME A112.18.1-2011 / CSA B125.1-11
- NSF 61 - Sec 9
- NSF 372 (Low Lead Compliant)



WARNING: This product can expose you to chemicals including lead and lead compounds which are known to the State of California to cause cancer and birth defects or other reproductive harm. For more information go to www.P65Warnings.ca.gov.