



Model: **14-560L** Item #: _____ Date: _____
 Project: _____ Qty: _____ Approved By: _____

Single Hole Deck Mount Metering Lavatory Faucet

Royal Series Plumbing



Description

- Single Hole Deck Mount Metering Lavatory Faucet, Polished Chrome Finish, 2.2 GPM Vandal Resistant Male Aerator Installed

Standard Features

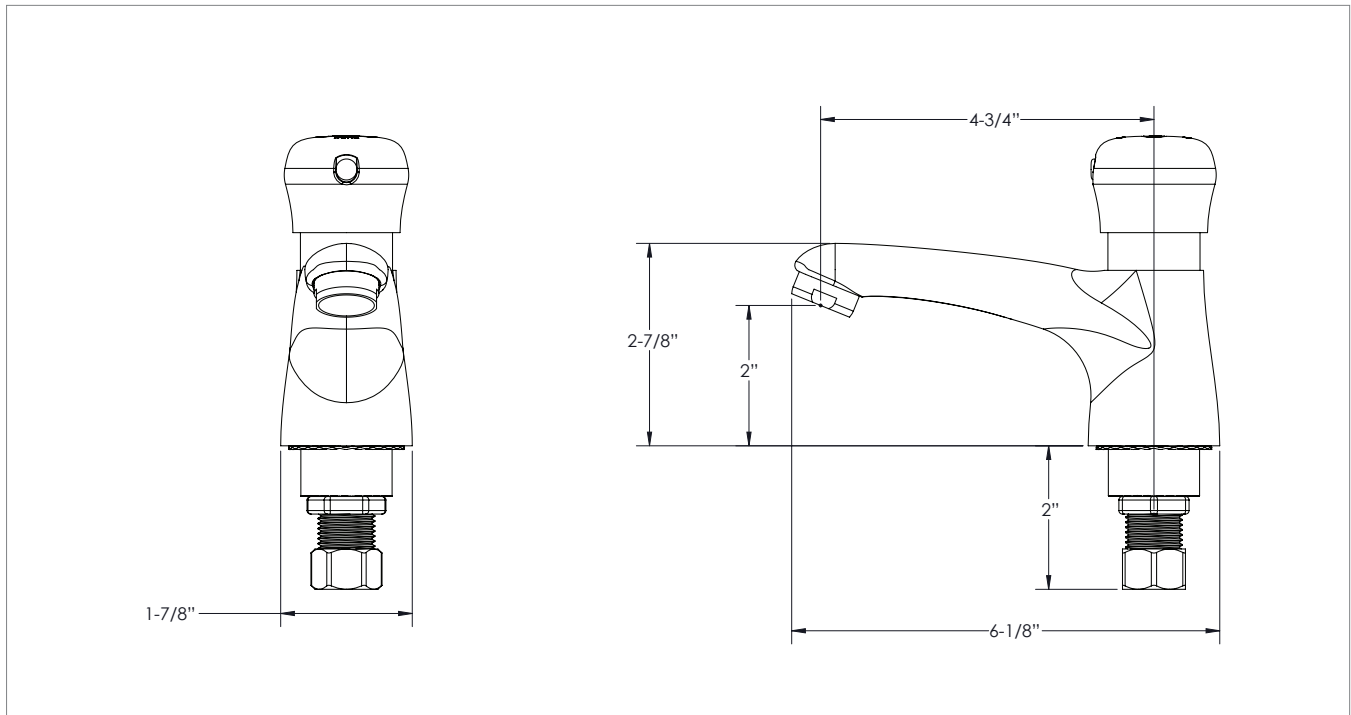
- Self-Closing metering valves with adjustable timed flow (3-20 seconds)
- Factory preset closing time of 10 seconds
- Vandal resistant push button caps with hot and cold indicators
- Requires less than 5lbs of operating force to activate flow per ANSI 117.1
- Warranty: 3 Year

Specifications

Water Inlet	1/2" NPS Male
Temp. Range	40°F - 180°F
Pressure	20-120 PSI
Rough In	7/8" Single Hole
Flow Rate	2.2 GPM
Material	Solid Brass
Finish	Polished Chrome
Weight	2 lbs.

Product Compliance

- ASME A112.18.1-2012/CSA B125.1-12
- NSF-61 & NSF/ANSI 372
- Meets ANSI A117.1 (ADA)
- CEC Listed
- Massachusetts Approved



WARNING: Plumbing connections should be made by qualified personnel who will observe all applicable plumbing, sanitary and safety codes.

WARNING: This product can expose you to chemicals including lead and lead compounds, which are known to the State of California to cause cancer and birth defects or other reproductive harm. For more information go to www.P65Warnings.ca.gov.

Krowne Metal Corporation • 100 Haul Rd. Wayne, NJ 07470 • P: (800) 631-0442 • customerservice@krowne.com • krowne.com

Due to our commitment to continued product improvement, specifications are subject to change without notice.

Rev. 12/2021 • No. 14-560L