



Model: **14-841L** Item #: _____ Date: _____

Project: _____ Qty: _____ Approved By: _____

8" Center Deck Mount Lavatory Faucet with 8" Wide Rigid Gooseneck Spout

Royal Series



DESCRIPTION

- 8" Center Deck Mount Lavatory Faucet with 8" Wide Rigid Gooseneck Spout, Polished Chrome Finish, 1.2 GPM Female Aerator Installed (2.2 GPM aerator included)

STANDARD FEATURES

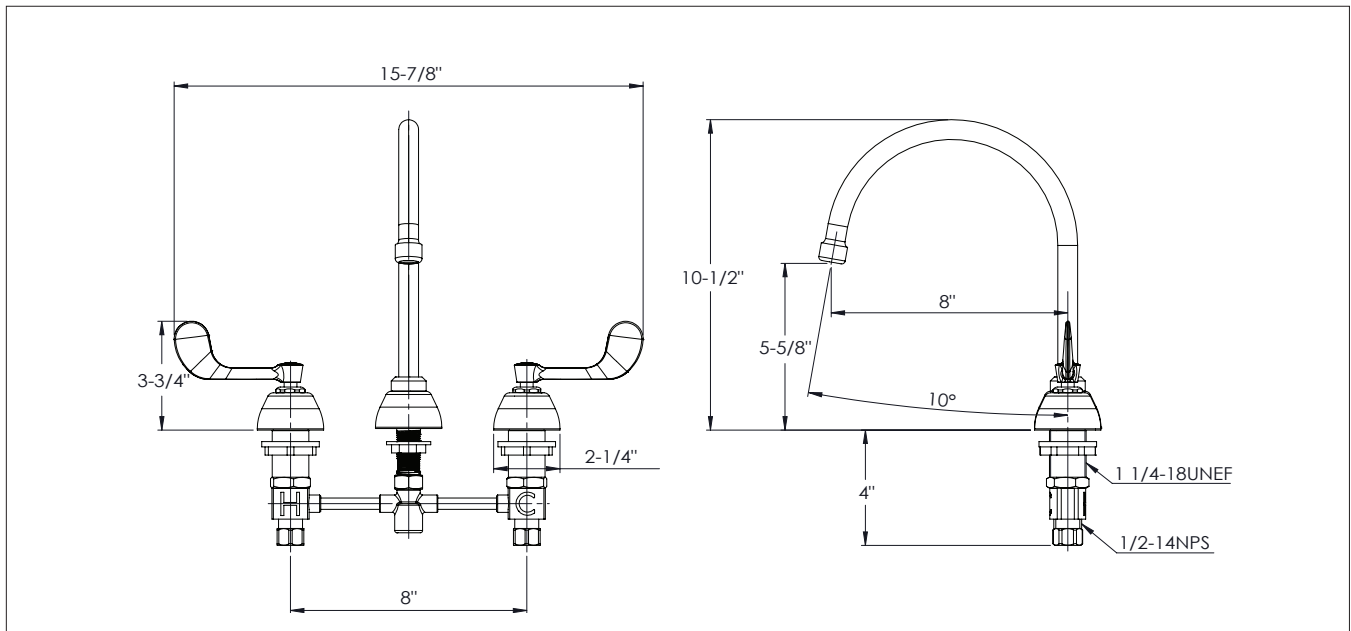
- 1/4 Turn high performance ceramic cartridge valves with integral check
- Wrist blade handles
- Color coded index
- Warranty: 3 years

SPECIFICATIONS

Water Inlet	1/2" NPS Male
Temp. Range	40°F - 180°F
Pressure	20-120 PSI
Rough In	1-1/2" Round Holes on 8" Center
Flow Rate	1.2 GPM
Material	Solid Brass
Finish	Polished Chrome
Weight	5 lbs.

PRODUCT COMPLIANCE

- NSF-61 & NSF/ANSI 372
- ASME A112.18.1-2011/CSA B125.1-11 & NSF/ANSI 372
- Massachusetts Approved
- Meets ANSI A117.1 (ADA)



WARNING: Plumbing connections should be made by qualified personnel who will observe all applicable plumbing, sanitary and safety codes.
California Proposition 65 Warning

Krowne Metal Corporation • 100 Haul Rd. Wayne, NJ 07470 • P: (800) 631-0442 • customerservice@krowne.com • krowne.com

Due to our commitment to continued product improvement, specifications are subject to change without notice.

Rev. 12/2020 • No. 14-841L