

Dipper Well Faucet

ROYAL SERIES



Standard Features

- Keeps bar tools, spoons, and glassware clean and sanitary during service
- Comes with a 3/8" NPSM adapter but can also be used with a 1/2" NPSM connection, allowing quick compatibility with common water line setups
- High performance 1/4 turn ceramic cartridge valve
- 360-degree gooseneck spout

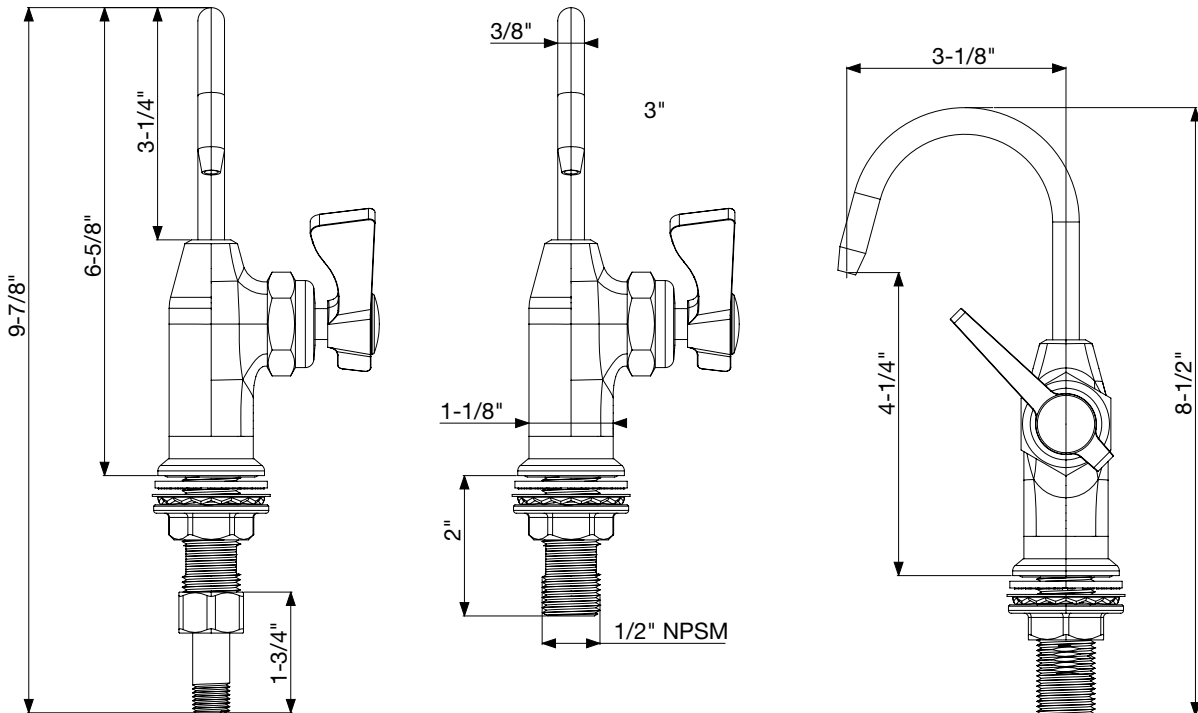
Specifications

Water Inlet	1/2" NPS Male
Material	Chrome Plated Brass
Temp. Range	40°F - 180°F
Pressure	20-125 PSI
Flow Rate	0.4 GPM
Rough In	7/8" Hole
Weight	2 lbs.

Model	Description
16-550	Dipper Well Faucet

Product Compliance

- NSF-61 & NSF/ANSI 372
- NSF/ANSI/CAN 61: Q < 1
- ASME A112.18.1-2018/CSA B125.1-18



Warning:

Plumbing connections should be made by qualified personnel who will observe all applicable plumbing, sanitary and safety codes

California Prop 65 Warning:

This product can expose you to chemicals including lead and lead compounds, which are known to the State of California to cause cancer and birth defects or other reproductive harm. For more information go to www.P65Warnings.ca.gov.