

Self-Contained Direct Draw Coolers

Refrigeration



DB60L-SSS-LR
shown with optional
stainless steel doors



Standard Features

- 36”H, 25” Front to Back Depth
- Additional beer tower options: up to 8 taps, four sixtels per door
- Available in standard door sizes 36”, 60”, 72”, 84” & 108”
- Available in narrow door size 52”
- Coved corner stainless steel interior
- Reinforced stainless steel keg floor and built-in kickplate for durability
- Stainless steel handles with built-in locks
- DynamicChill 360° Technology
- Heated mullion to minimize condensation
- Digital thermostat
- Standard operating range of 30°-40°F (Set at 35°F) unless specified
- Pre-drilled bottom for optional casters (uses 1/4-20 self tapping 1/2”L screw)
- R290 Hydrocarbon Refrigerant
- Eco-friendly Refrigerant and Insulation
- 5-Year Compressor Warranty
- 1-Year Parts & Labor Warranty

Specifications

Electrical	▪ 115V, 1 Phase, 60 Hz
	▪ Furnished with 8 ft. plug-in cord, which exists left or right rear of cooler
	▪ NEMA 5-15P plug configuration
	▪ Dedicated 15 Amp circuit recommended
Refrigeration	▪ 1 Door Units (36”): 1.7 amps, 1/5 HP
	▪ 2 Door Units (52”): 2.2 amps, 1/4 HP
	▪ 2 Door Units (60”): 2.2 amps, 1/4 HP
	▪ 3 Door Units (72”): 2.2 amps, 1/4 HP
Plumbing	▪ 3 Door Units (84”): 2.7 amps, 1/3 HP
	▪ 4 Door Units (108”): 2.8 amps, 1/3 HP
	▪ R290 Hydrocarbon Refrigerant
	▪ 30°F - 40°F operating range
Insulation	▪ Digital thermostat on front grille
	▪ No drain required
	▪ Condensate evaporator pan included
Interior	▪ 1/2” drain line provided from beer drainer exits bottom front of refrigeration compartment
	▪ 2” thick foamed-in-place polyurethane
	▪ 20 gauge stainless steel walls with coved corners
Faucets	▪ Removable corrugated stainless steel floor racks
	▪ Standard door opening: 19-3/4”W x 29-11/16”H
	▪ Narrow door opening: 15-3/4”W x 29-11/16”H

Exterior	▪ Sides: 20 gauge stainless steel
	▪ Front: 20 gauge stainless steel or black vinyl
	▪ Back: 20 gauge galvanized steel
	▪ Top: 1” stainless steel top
Doors	▪ Up to 4 faucets: 16-1/4” x 15” drainer
	▪ 5-10 faucets: 28-1/4” x 15” drainer
	▪ Standard Door models: 24”W doors
	▪ Narrow Door models: 20”W doors
Faucets	▪ Black Vinyl standard door finish (Stainless Steel upgrade available)
	▪ Stainless steel handles with built-in locks
	▪ 1 Door Units (36”): 1 Faucet
	▪ 2 Door Units (52”): 2 Faucets
KeG Capacity	▪ 2 Door Units (60”): 2 Faucets
	▪ 2 Door Units (72”): 3 Faucets
	▪ 4 Door Units (84”): 4 Faucets
	▪ 4 Door Units (108”): 5 Faucets
Additional Options	▪ Additional beer tower options available, up to 8 taps, four sixtels per door
	▪ Please check our website for full list of keg capacity configurations

This equipment is intended for the storage and display of non-potentially hazardous bottle or canned products only.

This equipment is intended for use in an area where the ambient temperature typically does not exceed 75 °F.

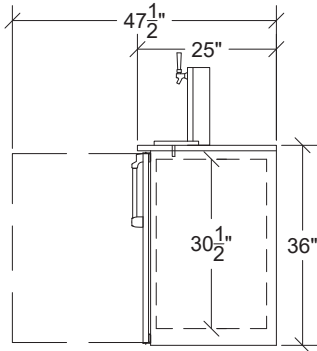


Self-Contained Direct Draw Coolers

Refrigeration

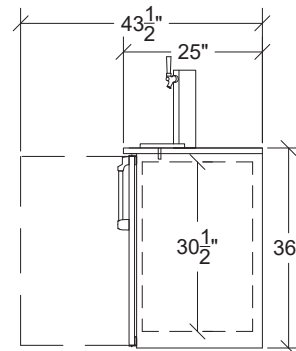
Standard Door Side View

Applies to Models beginning DB36, DB60, DB72, DB84, DB108



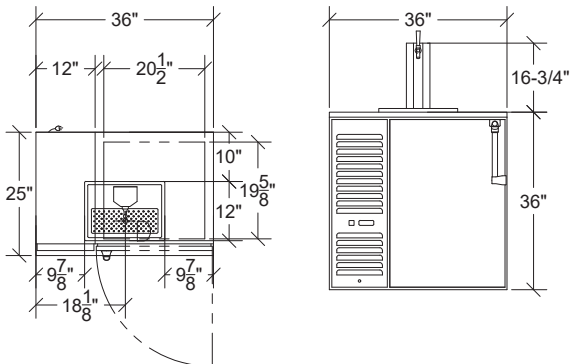
Narrow Door Side View

Applies to Models beginning DB52



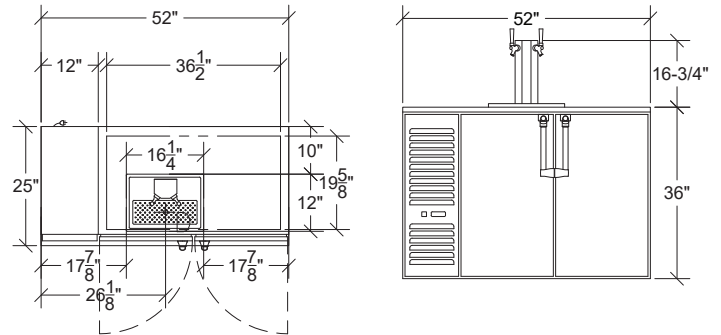
One Door (36")

Models beginning DB36
235 lbs. (250 lbs. with top)



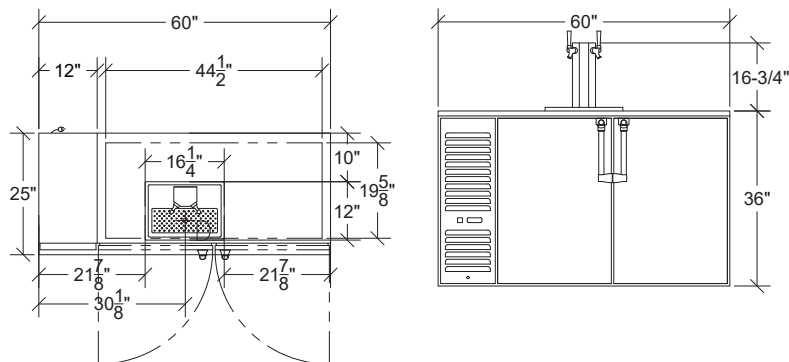
Two Door (52")

Models beginning DB52



Two Door (60")

Models beginning DB60
360 lbs. (380 lbs. with top)

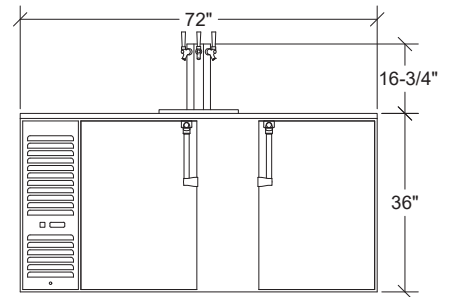
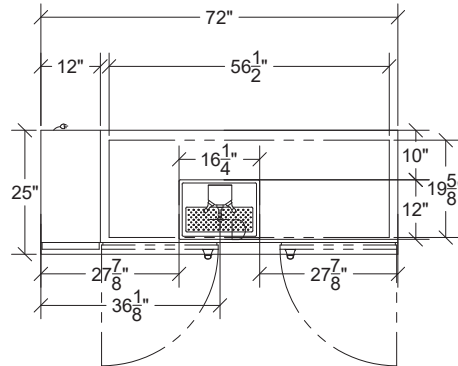


Self-Contained Direct Draw Coolers

Refrigeration

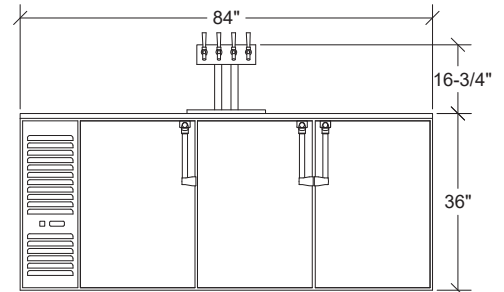
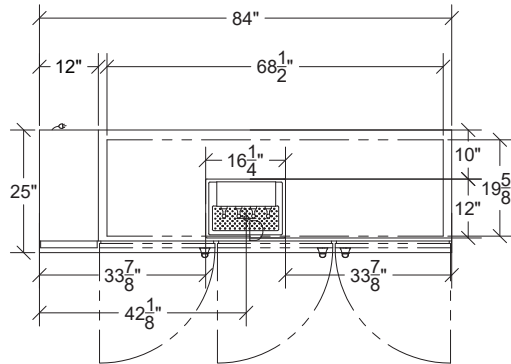
Two Door (72")

Models beginning DB72
480 lbs. (505 lbs. with top)



Three Door (84")

Models beginning DB84
525 lbs. (580 lbs. with top)



Four Door (108")

Models beginning DB108

