



Model: \_\_\_\_\_ Item #: \_\_\_\_\_ Date: \_\_\_\_\_

Project: \_\_\_\_\_ Qty: \_\_\_\_\_ Approved By: \_\_\_\_\_

## 8" Center Raised Deck Mount Faucet with 8" Swing Spout

Diamond Series Plumbing



Model	Description
DX-908	Diamond Series 8" Center Raised Deck Mount Faucet, 8" Swing Spout, Ultra-Polish Satin Finish, 1.75 GPM Aerator Installed

### Product Compliance

- NSF-61 & NSF/ANSI 372
- ASME A112.18.1-2011/CSA B125.1-11 & NSF/ANSI 372

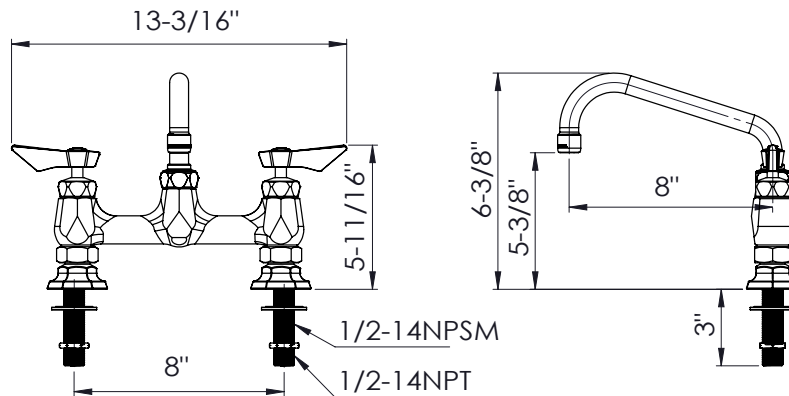


### Standard Features

- Ultra-polish satin finish on solid brass base
- 1/4 turn high-performance stainless steel ceramic cartridge valves with integral check
- Heavy duty flanges with eccentric fittings and flange seal technology
- Durable full range swing spout with double o-ring construction
- Lever handles
- Mounting kit and E-Z install flexible water lines included
- Lifetime warranty

### Specifications

Water Inlet	1/2" NPS Male
Mounting Style	Raised Deck Mount
Centers	8" Center
Rough In	7/8" Round Holes
Spout	8" Swing Spout
Temp. Range	40°F - 180°F
Pressure	20 -125 PSI
Flow Rate	1.75 GPM
Material	Solid Brass
Finish	Ultra-Polish Satin Finish
Weight	7 lbs.



#### WARNING:

Plumbing connections should be made by qualified personnel who will observe all applicable plumbing, sanitary and safety codes.

#### California Prop 65 Warning:

This product can expose you to chemicals including lead and lead compounds, which are known to the State of California to cause cancer and birth defects or other reproductive harm. For more information go to [www.P65Warnings.ca.gov](http://www.P65Warnings.ca.gov).