



Model: \_\_\_\_\_ Item #: \_\_\_\_\_ Date: \_\_\_\_\_

Project: \_\_\_\_\_ Qty: \_\_\_\_\_ Approved By: \_\_\_\_\_

# 9" Wide MiniMax Hand Sinks

# Hand Sinks

## HS-1

9"W MiniMax Hand Sink



## HS-19

9"W MiniMax Hand Sink with Side Splashes



### SPECIFICATIONS

<b>Fabrication</b>	20 gauge stainless steel
<b>Bowl</b>	8"W x 8"L x 6" Deep drawn bowl with stamped rim to prevent spillage
<b>Wall Mount Bracket</b>	Offset design for added strength
<b>Faucet</b>	4" Center Wall Mount w/ 3-1/2" Gooseneck Spout
<b>Drain</b>	1-1/2" Stainless steel drain
<b>Drain with Overflow</b>	Stainless steel with plastic overflow tube and inlet
<b>Plumbing</b>	1/2" IPS hot and cold water. 1-1/2" IPS drain outlet. Install at 36" working height. 1/2" faucet supply 12" from floor. 1-1/2" drain line 23-1/4" from floor.
<b>Lead Free</b>	Faucet included is certified to NSF/ANSI 61 and 372 and conforms with the lead content requirements for lead free plumbing as defined by the U.S. Safe Drinking Water Act. Hand sink is certified NSF-2.

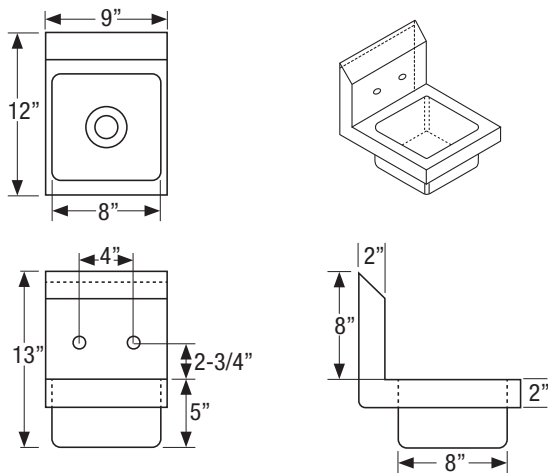
### OPTIONAL ACCESSORIES

<b>21-300L</b>	Silver Series Faucet Valve Repair Kit
<b>23-157</b>	Overflow Assembly
<b>H-100</b>	Chrome Plated 1-1/2" IPS P-Trap
<b>H-105</b>	Wall Mount Towel Dispenser
<b>H-108-1</b>	9"W x 12"D Stainless Steel Skirt, Factory Installed
<b>H-110</b>	Side Support Brackets
<b>H-116</b>	Wall Mount Soap Dispenser

⚠ Warning: This product can expose you to chemicals including lead and lead compounds which are known to the State of California to cause cancer and birth defects or other reproductive harm. For more information go to [www.P65Warnings.ca.gov](http://www.P65Warnings.ca.gov).



## HS-1



## HS-19

