



Model: _____ Item #: _____ Date: _____

Project: _____ Qty: _____ Approved By: _____

Royal Series One Compartment Bar Sinks

Royal Series Underbar



KR19-31C

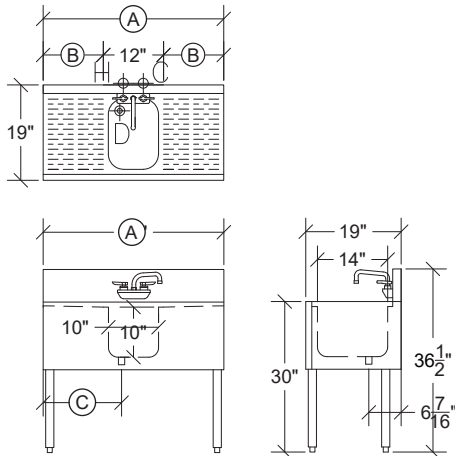
Standard Features

- Royal Series faucets & drains w/ overflows included
- Models ending '-E' include electronic sensor faucets
- Models ending '-DS' include plastic perforated basket (30-160)
- 1-1/2" left rear corner drains (Model 23-122)

Specifications

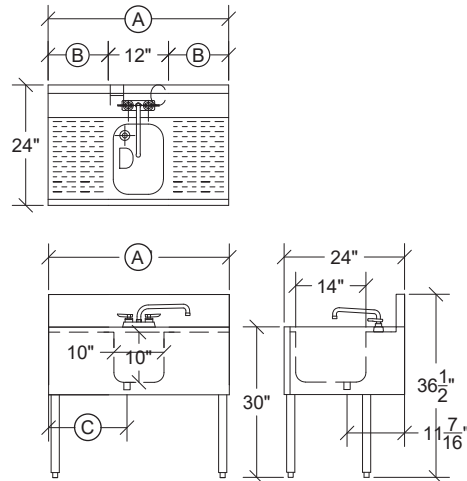
- Sink Bowl**
 - 20 gauge stainless steel 10" x 14" x 10" deep
 - Furnished with 1-1/2" IPS rear corner drain and 7-1/2" overflow pipe
- Drainboard**
 - 20 gauge stainless steel reinforced with welded braces every 6"
- Front Apron**
 - 20 gauge stainless steel clad over 20 gauge galvanized steel
- Sides**
 - 20 gauge stainless steel
- Backsplash**
 - 20 gauge stainless steel
- Back & Bottom**
 - 20 gauge galvanized steel
- Legs**
 - 1-5/8" tubular 16 gauge stainless steel with grey plastic bullet foot
- Plumbing**
 - Hot/Cold Water: 1/2" IPS
 - Drain: 1-1/2" IPS
- Faucets**
 - KR19-1C, KR19-12DS, KR19-31C, KR24-1C, KR24-12DS include Royal Series 4" Center Wall Mount Faucet
 - KR24-31C include Royal Series 4" Center Deck Mount Faucet
 - KR19-1C-E, KR24-1C-E include 4" Center Wall Mount Electronic Sensor Faucet

Model	Depth (Front to Back)	Length (A)	Drainboard Size		Left Side to Drain (C)	Bowls	Bowl Location	Wgt. (lbs.)
			(B)	(B)				
KR19-1C	19"	12"	-	6"	6"	1	Center	40
KR19-1C-E	19"	12"	-	6"	6"	1	Center	40
KR19-12DS	19"	12"	-	6"	6"	1	Center	40
KR19-31C	19"	36"	(2) 12"	16"	16"	1	Center	48



NOTE: Letter at end of Model Number represents Bowl Location

Model	Depth (Front to Back)	Length (A)	Drainboard Size		Left Side to Drain (C)	Bowls	Bowl Location	Wgt. (lbs.)
			(B)	(B)				
KR24-1C	24"	12"	-	6"	6"	1	Center	45
KR24-1C-E	24"	12"	-	6"	6"	1	Center	45
KR24-12DS	24"	12"	-	6"	6"	1	Center	45
KR24-31C	24"	36"	(2) 12"	16"	16"	1	Center	53



WARNING: Plumbing connections should be made by qualified personnel who will observe all applicable plumbing, sanitary and safety codes.

