



Model: \_\_\_\_\_ Item #: \_\_\_\_\_ Date: \_\_\_\_\_

Project: \_\_\_\_\_ Qty: \_\_\_\_\_ Approved By: \_\_\_\_\_

# Royal Series Four Compartment Bar Sinks

# Royal Series Underbar



**KR19-74C**

## Product Compliance

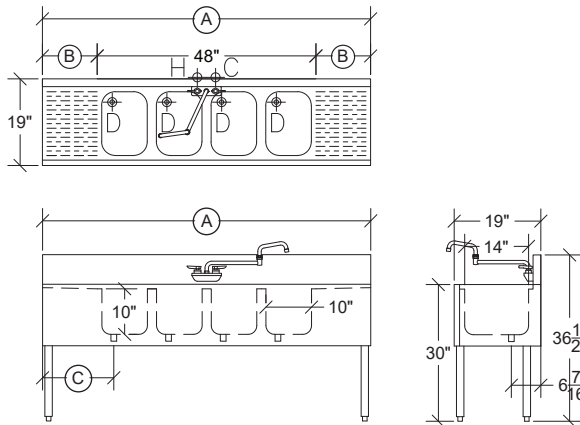
- NSF/ANSI 2
- ASME A112.19.3/CSA B45.4



**WARNING:** Plumbing connections should be made by qualified personnel who will observe all applicable plumbing, sanitary and safety codes.

Model	Depth (Front to Back)	Length (A)	Drainboard Size		Left Side to Drain (C)	Bowls	Bowl Location	Wgt. (lbs.)
			(B)	(C)				
<b>KR19-44C</b>	19"	48"	-	4"		4	Center	65
<b>KR19-64C</b>	19"	72"	(2) 12"	15"		4	Center	79
<b>KR19-74C</b>	19"	84"	(2) 18"	21"		4	Center	91
<b>KR19-84C</b>	19"	96"	(2) 24"	27"		4	Center	99

**NOTE:** Letter at end of Model Number represents Bowl Location



## Specifications

- Sink Bowl**
  - 20 gauge stainless steel 10" x 14" x 10" deep
  - Furnished with 1-1/2" IPS rear corner drain (Model 23-122) and 7-1/2" overflow pipe
- Drainboard**
  - 20 gauge stainless steel reinforced with welded braces every 6"
  - Integrated drainboards (except KR24-74C)
- Faucet**
  - 4" OC wall or deck mount faucet with 1/4 turn ceramic cartridge valves
  - KR19 includes wall mount faucet
  - KR24 includes deck mount faucet
- Plumbing**
  - Hot/Cold Water: 1/2" IPS
  - Drain: 1-1/2" IPS
- Legs**
  - 1-5/8" tubular 16 gauge stainless steel with grey plastic bullet foot
- Front Apron**
  - 20 gauge stainless steel clad over 20 gauge galvanized steel
- Sides**
  - 20 gauge stainless steel
- Backsplash**
  - 20 gauge stainless steel
- Back & Bottom**
  - 20 gauge galvanized steel

Model	Depth (Front to Back)	Length (A)	Drainboard Size		Left Side to Drain (C)	Bowls	Bowl Location	Wgt. (lbs.)
			(B)	(C)				
<b>KR24-44C</b>	24"	48"	-	4"		4	Center	72
<b>KR24-64C</b>	24"	72"	(2) 12"	15"		4	Center	89
<b>KR24-74C</b>	24"	84"	(2) 18"	21"		4	Center	100

**NOTE:** Letter at end of Model Number represents Bowl Location

