



Model: _____ Item #: _____ Date: _____

Project: _____ Qty: _____ Approved By: _____

Royal Series Three Compartment Bar Sinks

Royal Series Underbar



KR19-43L

Product Compliance

- NSF/ANSI 2
- ASME A112.19.3/CSA B45.4



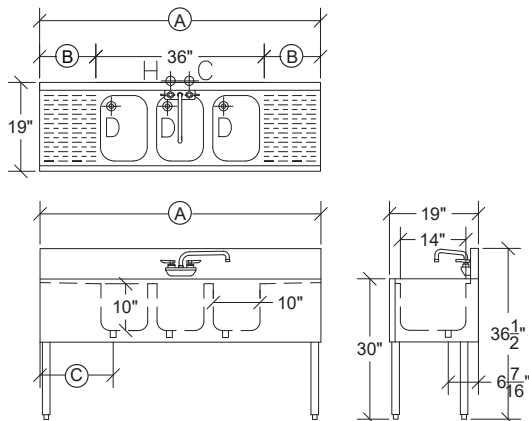
WARNING: Plumbing connections should be made by qualified personnel who will observe all applicable plumbing, sanitary and safety codes.

Specifications

- Sink Bowl**
 - 20 gauge stainless steel 10" x 14" x 10" deep
 - Furnished with 1-1/2" IPS rear corner drain (Model 23-122) and 7-1/2" overflow pipe
- Drainboard**
 - 20 gauge stainless steel reinforced with welded braces every 6"
 - Integrated drainboards (except KR24-73C)
- Faucet**
 - 4" OC wall or deck mount faucet with 1/4 turn ceramic cartridge valves
 - KR19 includes wall mount faucet
 - KR24 includes deck mount faucet
- Plumbing**
 - Hot/Cold Water: 1/2" IPS
 - Drain: 1-1/2" IPS
- Legs**
 - 1-5/8" tubular 16 gauge stainless steel with grey plastic bullet foot
- Front Apron**
 - 20 gauge stainless steel clad over 20 gauge galvanized steel
- Sides**
 - 20 gauge stainless steel
- Backsplash**
 - 20 gauge stainless steel
- Back & Bottom**
 - 20 gauge galvanized steel

Model	Depth (Front to Back)	Length (A)	Drainboard Size		Left Side to Drain (C)	Bowls	Bowl Location	Wgt. (lbs.)
			(B)	(B)				
KR19-33C	19"	36"	-	4"	4"	3	Center	55
KR19-43L	19"	48"	12"	4"	4"	3	Left	60
KR19-43R	19"	48"	12"	15"	15"	3	Right	60
KR19-53C	19"	60"	(2) 12"	15"	15"	3	Center	69
KR19-63C	19"	72"	(2) 18"	21"	21"	3	Center	75
KR19-73C	19"	84"	(2) 24"	27"	27"	3	Center	86
KR19-83C	19"	96"	(2) 30"	33"	33"	3	Center	94

NOTE: Letter at end of Model Number represents Bowl Location



Model	Depth (Front to Back)	Length (A)	Drainboard Size		Left Side to Drain (C)	Bowls	Bowl Location	Wgt. (lbs.)
			(B)	(B)				
KR24-33C	24"	36"	-	4"	4"	3	Center	60
KR24-43L	24"	48"	12"	4"	4"	3	Left	65
KR24-43R	24"	48"	12"	15"	15"	3	Right	65
KR24-53C	24"	60"	(2) 12"	15"	15"	3	Center	76
KR24-63C	24"	72"	(2) 18"	21"	21"	3	Center	83
KR24-73C	24"	84"	(2) 24"	27"	27"	3	Center	93

NOTE: Letter at end of Model Number represents Bowl Location

