



Model: **16-144** Item #: _____ Date: _____

Project: _____ Qty: _____ Approved By: _____

Stainless Steel Glass Rinsers, 4-1/2"W

Royal Series Underbar



16-144

Description

- Krowne’s 16-144 Glass Rinsers is primarily used to rinse residual soap and sanitizer out of glasses prior to filling to ensure that any residues do not ruin the tastes of drinks, especially beers for patrons. In addition, rinsing a glass helps the overall texture of a draft pour, as the water will create a slippery surface, minimizing friction and surface tension. This will create a smoother, less foamy pour.

Standard Features

- 4-1/2" disc diameter
- Stainless steel perforated grid
- 1/2" NPSM thread x 2-1/4" shank
- Includes adapter to fit 3/8" flexible water line
- Replaces all underbar manufacturers rinsers
- Repair kit available (16-146)
- Weight: 1 lb.

Product Compliance

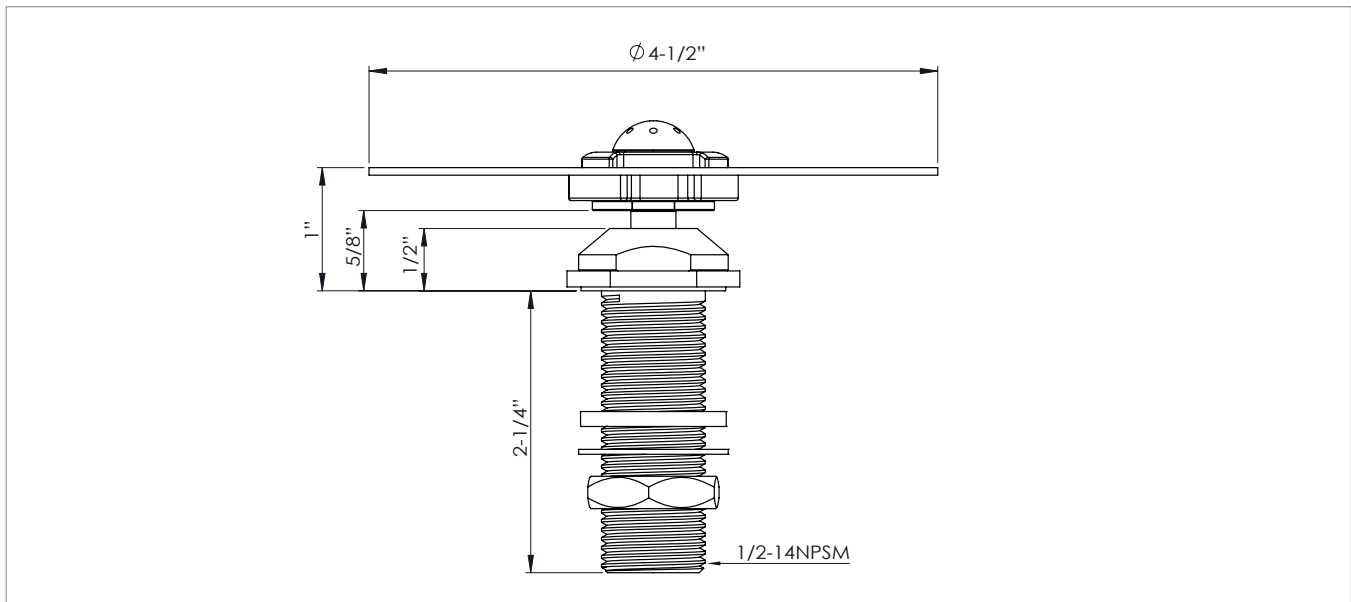
- NSF-61 & NSF/ANSI 372
- ASME A112.18.1-2012/CSA B125.1-12
- Massachusetts approved



Repair Kit



16-146
 Repair Kit includes Replacement Rod, O-Ring & Spring



WARNING:
 Plumbing connections should be made by qualified personnel who will observe all applicable plumbing, sanitary and safety codes.

California Prop 65 Warning:
 This product can expose you to chemicals including lead and lead compounds, which are known to the State of California to cause cancer and birth defects or other reproductive harm. For more information go to www.P65Warnings.ca.gov.