

MODEL: _____ PROJECT: _____ ITEM #: _____ QTY: _____

PRODUCT IMAGES



18-18ST SHOWN

18-1C SHOWN

AVAILABLE IN 1800 or 2100 SERIES

STANDARD FEATURES

- **Soap Dispenser**
Spout removes from top for easy filling. Chrome plated spout with plastic soap reservoir below
- **Towel Dispenser**
Paper towels easily accessed from below with front door. Door swings open for refilling
- **Sink Bowl**
20 gauge stainless steel. 10" x 14" x 7" deep bowl. 1 1/2" radius on all vertical and horizontal corners. Furnished with a 1 1/2" stainless steel drain
- **Front Apron**
22 gauge stainless steel
- **Backsplash**
22 gauge stainless steel
- **Sides**
20 gauge stainless steel
- **Back and Bottom**
20 gauge galvanized steel
- **Legs**
1 5/8" tubular 16 gauge galvanized steel with grey plastic bullet foot
- **Plumbing**
1/2" IPS hot and cold water. 1 1/2" IPS drain connection
- **Faucet**
1800 Series: 4" center wall mount faucet
2100 Series: 4" center deck mount faucet
- **Low Lead Compliance (Glass Washing Cabinet)**
Low Lead Compliant faucet options are available to meet California AB-1953 and Vermont S152 standards

OPTIONAL ACCESSORIES

- **C-30** Left and Right End Side Splashes
- **C-36** Upgrade: Stainless Steel Legs
- **C-39** Right End Side Splash
- **C-40** Left End Side Splash
- **H-109** Upgrade: Royal Series Low Lead Faucet
- **30-160** Perforated Dump Basket
- **KR-501** Towel Ring



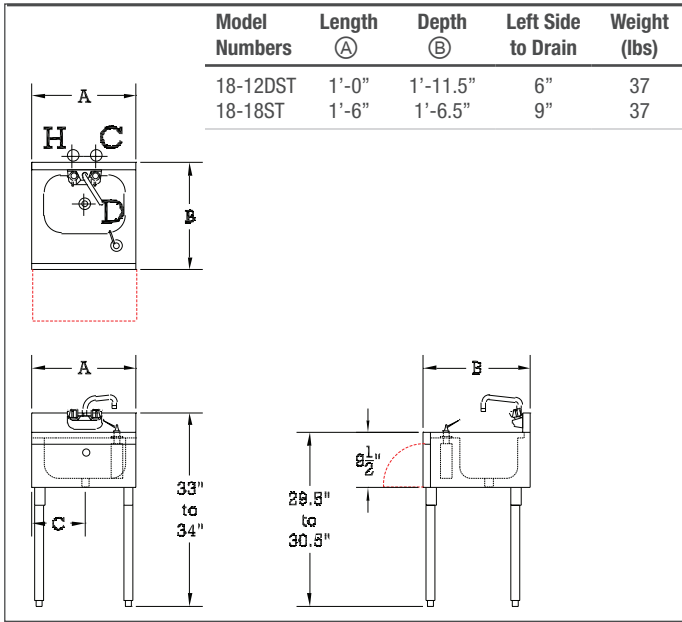
APPROVED BY:

CERTIFICATIONS:

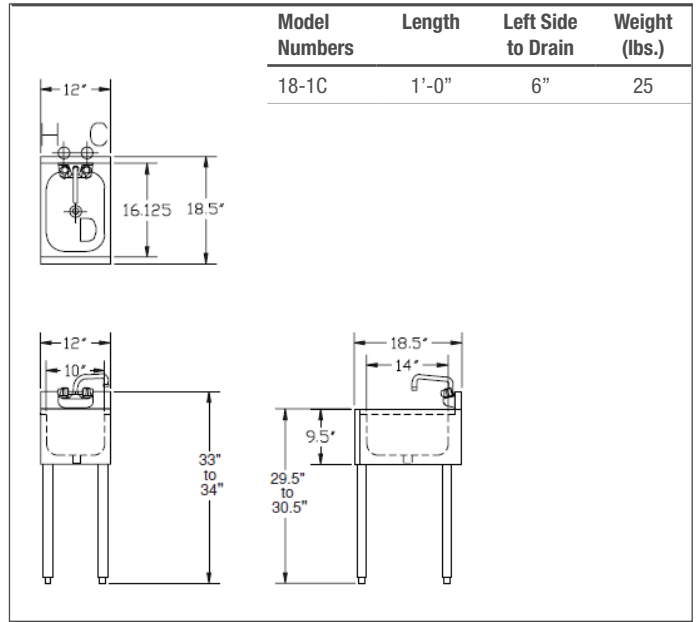
Due to our commitment to continued product improvement, specifications are subject to change without notice.

MODEL: _____ PROJECT: _____ ITEM #: _____ QTY: _____

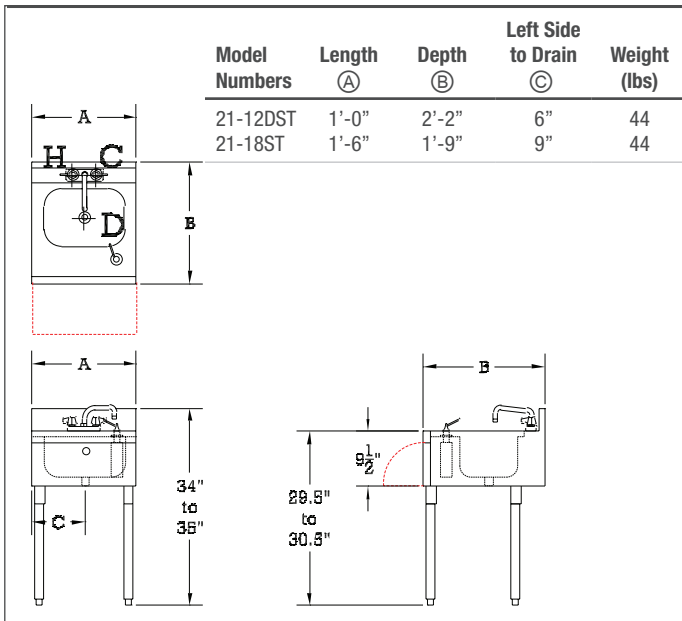
1800 SERIES: SINK with SOAP & TOWEL DISPENSER



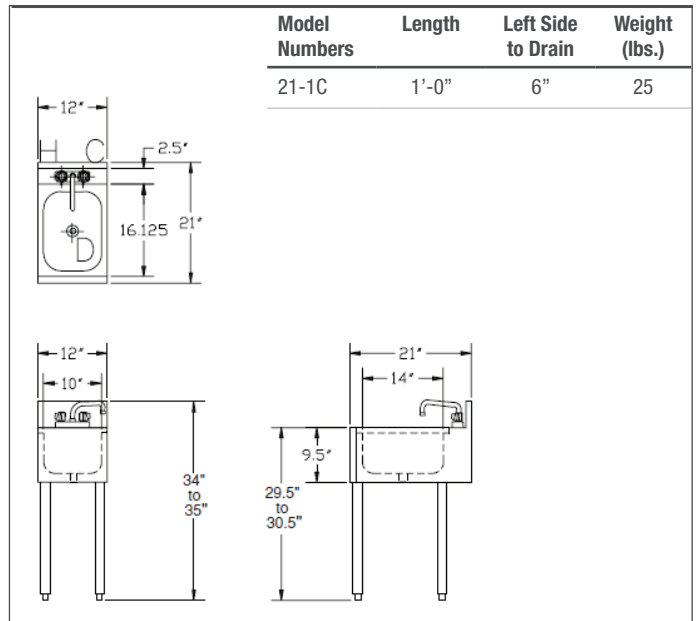
1800 SERIES: DUMP SINK



2100 SERIES: SINK with SOAP & TOWEL DISPENSER



2100 SERIES: DUMP SINK



NOTE: All units are supplied with 4 legs
MECHANICAL REQUIREMENTS: 1/2" IPS hot and cold water. 1 1/2" IPS drain connection



CERTIFICATIONS:

APPROVED BY:

Due to our commitment to continued product improvement, specifications are subject to change without notice.