



Model: _____

Item #: _____ Quantity: _____

Project: _____



1800 or 2100 Series Available
(see reverse)

Accessories

- Eight Circuit Cold Plate
- Ten Circuit Cold Plate Upgrade
- Built-in 20 gauge Sound Deadened Krowne Royal Single Speedrail
- Built-in 20 gauge Sound Deadened Krowne Royal Double Speedrail
- Stainless steel sliding cover
- Condiment Tray
- Stainless Steel Divider
- Towel Ring
- Side Splash (specify left or right)
- Cap Catcher and Opener
- Perforated Bottom (units without cold plates only)

- **Cold Plate (optional):**

Cast aluminum plate with eight circuits. Plate is sealed into bottom. Each circuit is 5/16" O.D. stainless steel tubing. Two full with remainder to be half circuits. Bump and swedge fittings on ends.

- **Tubing Access:**

3/4" x 3.5" cutout in left side of backsplash on cold plate unit (1800 series). 1/2" x 4.3" cutout in left side of backsplash on cold plate units (2100 series).

- **Legs:**

1 5/8" tubular 16 gauge stainless steel with grey thermoplastic bullet foot.

- **Interior:**

20 gauge 304 series stainless steel, 12" or 15" deep.

- **Front Apron:**

20 gauge 304 series stainless steel clad over 20 gauge galvaneal.

- **Backsplash:**

20 gauge 304 series stainless steel.

- **Back and Bottom:**

20 gauge galvaneal.

- **Sides:**

20 gauge 304 series stainless steel.

- **Insulation:**

Foam in place polyurethane.

- **Plumbing:**

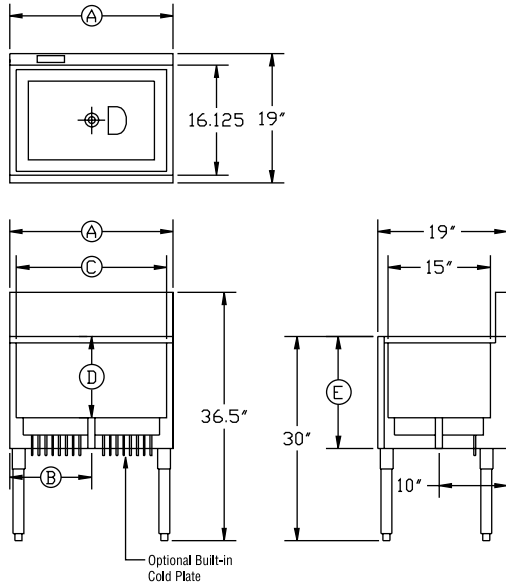
1/2" IPS drain connection with cold plate.
1" IPS drain connection without cold plate.

Note: Cold Plate Unit supplied with 1/2" x4" threaded PVC pipe.

Approved By: _____

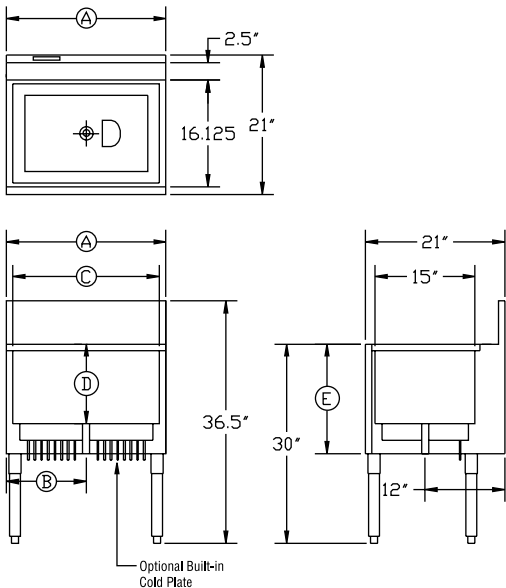
Model: _____ Item #: _____ Quantity: _____ Project: _____

1800 Series



Model Numbers	Length (A)	Left Side to Drain (B)	Interior Dimension (C)	Inside Depth (D)	Outside Depth (E)	Ice Capacity lbs	Cold Plate Circuits	Weight lbs
KR18-6	0'-6"	3"	15" x 4"	10"	11 1/2"	0	n/a	40
KR18-12	1'-0"	6"	15" x 10"	10"	11 1/2"	0	n/a	43
KR18-24	2'-0"	12"	15" x 22"	12"	13 1/2"	80	n/a	60
KR18-30	2'-6"	15"	15" x 28"	12"	13 1/2"	97	n/a	80
KR18-36	3'-0"	18"	15" x 34"	12"	13 1/2"	115	n/a	95
KR18-42	3'-6"	21"	15" x 40"	12"	13 1/2"	135	n/a	115
KR18-48	4'-0"	24"	15" x 46"	12"	13 1/2"	160	n/a	130
KR18-24-8	2'-0"	12"	15" x 22"	12"	16 1/2"	80	8	166
KR18-30-8	2'-6"	15"	15" x 28"	12"	16 1/2"	97	8	185
KR18-36-8	3'-0"	18"	15" x 34"	12"	16 1/2"	115	8	199
KR18-42-8	3'-6"	21"	15" x 40"	12"	16 1/2"	135	8	235
KR18-48-8	4'-0"	24"	15" x 46"	12"	16 1/2"	160	8	249
KR18-24DP	2'-0"	12"	15" x 22"	15"	16 1/2"	100	n/a	75
KR18-30DP	2'-6"	15"	15" x 28"	15"	16 1/2"	120	n/a	100
KR18-36DP	3'-0"	18"	15" x 34"	15"	16 1/2"	138	n/a	125
KR18-48DP	4'-0"	24"	15" x 46"	15"	16 1/2"	178	n/a	216
KR18-24DP-8	2'-0"	12"	15" x 22"	15"	19 1/2"	100	8	188
KR18-30DP-8	2'-6"	15"	15" x 28"	15"	19 1/2"	120	8	225
KR18-36DP-8	3'-0"	18"	15" x 34"	15"	19 1/2"	138	8	270
KR18-48DP-8	4'-0"	24"	15" x 46"	15"	19 1/2"	178	8	296

2100 Series



Model Numbers	Length (A)	Left Side to Drain (B)	Interior Dimension (C)	Inside Depth (D)	Outside Depth (E)	Ice Capacity lbs	Cold Plate Circuits	Weight lbs
KR21-6	0'-6"	3"	15" x 4"	10"	11 1/2"	0	n/a	40
KR21-12	1'-0"	6"	15" x 10"	10"	11 1/2"	0	n/a	43
KR21-24	2'-0"	12"	15" x 22"	12"	13 1/2"	80	n/a	60
KR21-30	2'-6"	15"	15" x 28"	12"	13 1/2"	97	n/a	80
KR21-36	3'-0"	18"	15" x 34"	12"	13 1/2"	115	n/a	95
KR21-42	3'-6"	21"	15" x 40"	12"	13 1/2"	135	n/a	115
KR21-48	4'-0"	24"	15" x 46"	12"	13 1/2"	160	n/a	130
KR21-24-8	2'-0"	12"	15" x 22"	12"	16 1/2"	80	8	166
KR21-30-8	2'-6"	15"	15" x 28"	12"	16 1/2"	97	8	185
KR21-36-8	3'-0"	18"	15" x 34"	12"	16 1/2"	115	8	199
KR21-42-8	3'-6"	21"	15" x 40"	12"	16 1/2"	135	8	235
KR21-48-8	4'-0"	24"	15" x 46"	12"	16 1/2"	160	8	249
KR21-24DP	2'-0"	12"	15" x 22"	15"	16 1/2"	100	n/a	75
KR21-30DP	2'-6"	15"	15" x 28"	15"	16 1/2"	120	n/a	100
KR21-36DP	3'-0"	18"	15" x 34"	15"	16 1/2"	138	n/a	125
KR21-48DP	4'-0"	24"	15" x 46"	15"	16 1/2"	178	n/a	216
KR21-24DP-8	2'-0"	12"	15" x 22"	15"	19 1/2"	100	8	188
KR21-30DP-8	2'-6"	15"	15" x 28"	15"	19 1/2"	120	8	225
KR21-36DP-8	3'-0"	18"	15" x 34"	15"	19 1/2"	138	8	270
KR21-48DP-8	4'-0"	24"	15" x 46"	15"	19 1/2"	178	8	296

Mechanical Requirements:

- 1" IPS Drain Connection without Cold Plate.
- 1/2" IPS Drain Connection with Cold Plate.

Approved By: _____

Due to our commitment to continued product improvement, specifications are subject to change without notice.