



1890 Swarthmore Avenue, PO Box 2020, Lakewood, NJ 08701
 Phone: 800-526-3694, 732-363-4700, Fax: 732-364-8110
 www.keilhardware.com • www.componenthardware.com

PROJECT NAME: _____

LOCATION: _____

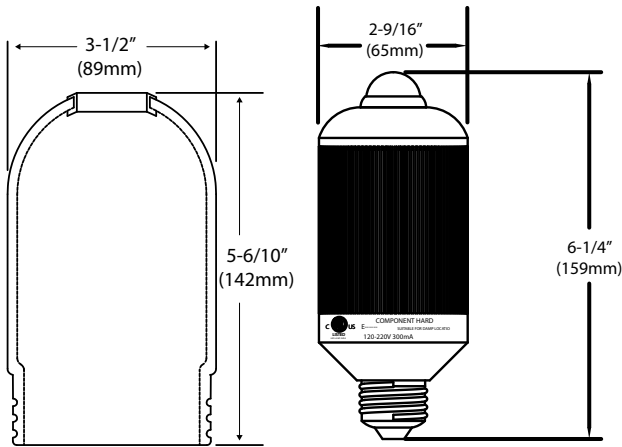
SPECIFIER ITEM NO. _____ **QTY:** _____

KEIL PART NO. _____

Keil® LED Motion Sensor Light with Globe
 for Walk-In Refrigeration

LED-321420x Series

LED-321420C 6000K
 LED-321420W 3000K



Dimensions shown in inches (mm) are for reference only and are subject to change.

100-120 VAC, 50/60Hz
 Operating Temperature: -4°F to 140°F (-20°C to 60°C)

Warranty - 5 years
 Shipping weight - 1lb

Replacement bulb for Edison-base light fixtures

High Efficiency, Environmentally Friendly

- Replaces inefficient incandescent bulbs; low wattage for fast payback
- Instant-on; no ballast to warm up; no buzzing or flickering
- Rated for 50,000 hour life
- Mercury-free
- Exceeds Federal Energy Act requirement
- Unbreakable polycarbonate enclosure
- No ultraviolet emission; will not attract insects

Easy Installation

- Simply screw in to existing fixture – no adapter required
- Fits any A19/E26/E27 fixture
- Adjustable time delay cycle from 5 seconds to 12 minutes

Versatile Functionality

- Ideal for any infrequently used area - walk-in coolers & freezers, dry storage areas, closets, stairways
- Red dots on passive infrared sensor (PIR) show directions of high sensitivity
- 140 degree beam angle floods workspace with light

Specifications

Model	Watts	Lumens	Kelvins
LED-321420C	18	2000	6000
LED-321420W	18	1600	3000



File No. E343790