



Project Name: _____

Location: _____

Item #: _____ Qty: _____

Model: _____

LUIM-75 SELF-CONTAINED ICE MACHINE

MODEL: LUIM-75



The LUIM-75 self-contained, air-cooled ice machine is perfect for any free-standing or built-in application. Each unit features a self-contained storage bin and a durable, easy to clean stainless steel and black plastic trim exterior. The easy-to-use controls, front-breathing design with vertical evaporator and proven ice making technology will deliver years of reliable ice production.

FEATURES AND CONSTRUCTION

- Stainless steel exterior with black plastic trim
- Air cooled compressor
- Programmable, solid state, digital electronic control system.
- Built-in self cleaning mode
- Includes scoop
- Polyethylene storage bin liner for improved sanitation
- Auto shut-off when ice bin is full

DAILY ICE PRODUCTION

Air Temp 70°F (21°C) / Water Temp 50°F (10°C)
LUIM-75 75 lbs/day

Air Temp 90°F (32°C) / Water Temp 70°F (21°C)
LUIM-75 65 lbs/day

ICE BIN STORAGE CAPACITY

LUIM-75 25 lbs

OPERATING REQUIREMENTS

Ambient Air Temperature Range..... 50° to 100°F (10° to 38°C)

Water Temperature Range 41° to 90°F (5° to 32°C)

Water Supply Line Connection 1/4" O.D.

Water Pressure Range:

Min PSI..... 15 Max PSI80*

Min Bar 1.0 Max Bar5.5

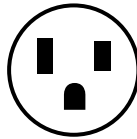
*Above 80 PSI requires a regulator

Energy Consumption per 100 lbs of ice:

LUIM-75 11.7 kWh/100 lbs

ELECTRIC

115V / 60Hz
International voltage available
6' (2m) NEMA 5-15P cord set included



NEMA 5-15P

3RD PARTY APPROVALS

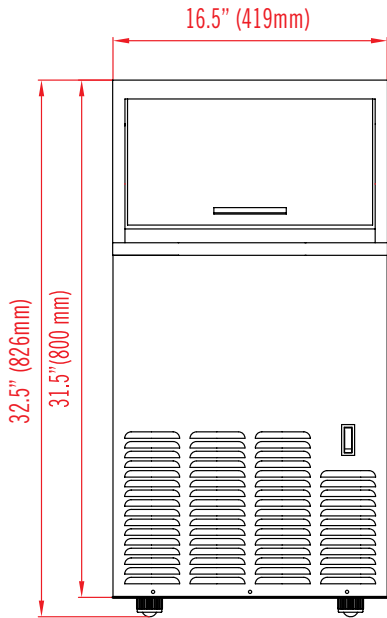


Conformed to UL 563 Tested and certified by NSF to NSF/ANSI standard 12 Zero Ozone Depletion Potential

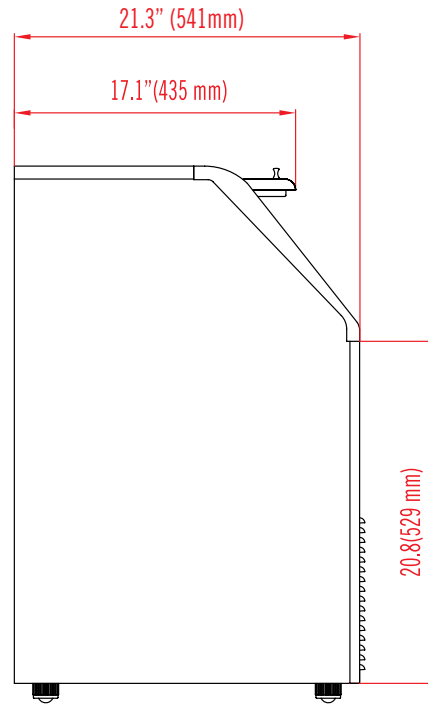
LUNAR ICE WARRANTY (USA/CANADA)

These units are backed by a 1-year limited parts and labor (parts only warranty for Canada) warranty and a 5-year warranty on the compressors and evaporator. For warranty, non-warranty related issues and technical support call NSA at 877-672-7740 or contact support@admiralcraft.com.

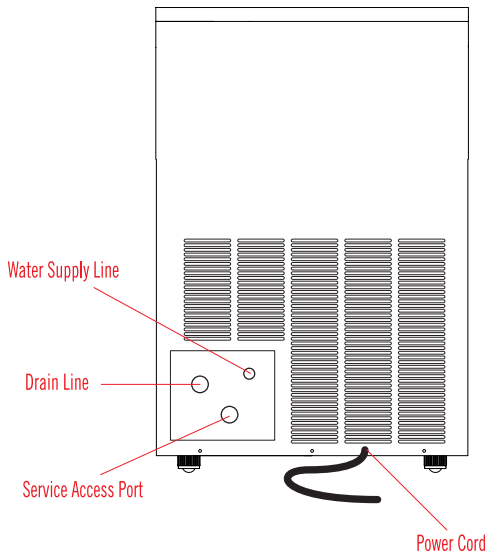
FRONT VIEW



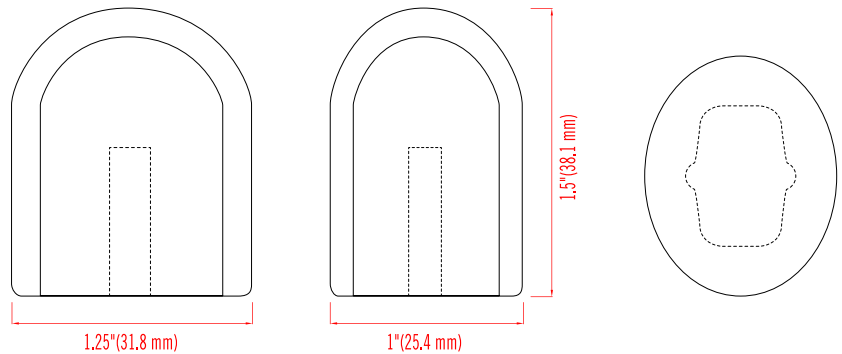
SIDE VIEW



REAR VIEW



BULLET CUBE (ACTUAL SIZE)



| MODEL | EXTERNAL DIMENSIONS | DAILY ICE PRODUCTION (70°F Air / 50°F Water) | ICE BIN STORAGE CAPACITY | NET WEIGHT / SHIPPING WEIGHT | AMP DRAW (NOMINAL/MAX) | REFRIGERANT AND CHARGE SIZE | ELECTRICAL | SHIPPING DIMENSIONS |
|---------|---------------------|--|--------------------------|------------------------------|------------------------|-----------------------------|-------------|---------------------|
| LUIM-75 | 16.5"x21.3"x32.5" | 75 lbs/day | 25 lbs | 81.6 lbs / 92.6 lb | 6.7A/11.2A | R134a, 6.35oz | 115V / 60Hz | 18.9"x23"x36" |

INSTALLATION

- A clearance of 2" from the wall is recommended to promote adequate cooling air circulation
- A gravity drain line is required to install this ice machine
- For optimal performance, the use of a water filter is recommended