



Project Name: _____

Location: _____

Item #: _____ Qty: _____

Model: _____

LUIM-260 SELF-CONTAINED ICE MACHINE

MODEL: LUIM-260



LUIM-260 self-contained, air-cooled ice machine is perfect for any free-standing or built-in application. Each unit features a self-contained storage bin and a durable, easy to clean stainless steel and black plastic trim exterior. The easy-to-use controls, front-breathing design with vertical evaporator and proven ice making technology will deliver years of reliable ice production.

FEATURES AND CONSTRUCTION

- Stainless steel exterior with black plastic trim
- Air cooled compressor
- Programmable, solid state, digital electronic control system.
- Built-in self cleaning mode
- Includes scoop
- Polyethylene storage bin liner for improved sanitation
- Auto shut-off when ice bin is full

DAILY ICE PRODUCTION

Air Temp 70°F (21°C) / Water Temp 50°F (10°C)
LUIM-260 270 lbs/day

Air Temp 90°F (32°C) / Water Temp 70°F (21°C)
LUIM-260 222 lbs/day

ICE BIN STORAGE CAPACITY

LUIM-260 88 lbs

OPERATING REQUIREMENTS

Ambient Air Temperature Range..... 40° to 110°F (4° to 43°C)

Water Temperature Range 40° to 90°F (4° to 32°C)

Water Supply Line Connection 3/8" FPT

Water Pressure Range:

Min PSI..... 15 Max PSI 80*

Min Bar 1.0 Max Bar 5.5

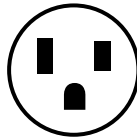
*Above 80 PSI requires a regulator

Energy Consumption per 100 lbs of ice:

LUIM-260 7.15kWh/100 lb

ELECTRIC

115V / 60Hz
International voltage available
6' (2m) NEMA 5-15P cord set included



NEMA 5-15P

3RD PARTY APPROVALS



Conformed to UL 563



Tested and certified by NSF to NSF/ANSI standard 12

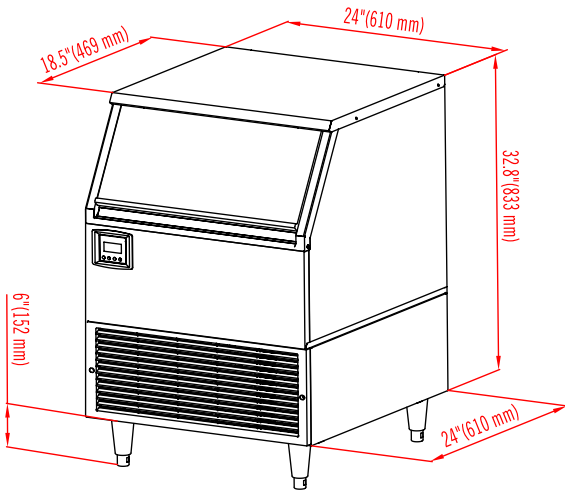


Zero Ozone Depletion Potential to NSF/ANSI standard 12

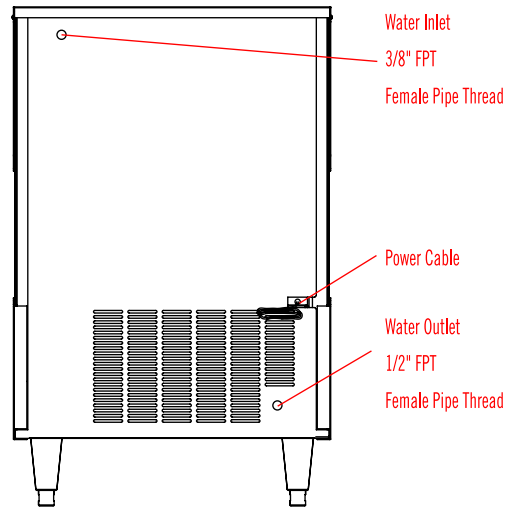
LUNAR ICE WARRANTY (USA/CANADA)

These units are backed by a 1-year limited parts and labor (parts only warranty for Canada) warranty and a 5-year warranty on the compressors and evaporator. For warranty, non-warranty related issues and technical support call NSA at 877-672-7740 or contact support@admiralcraft.com.

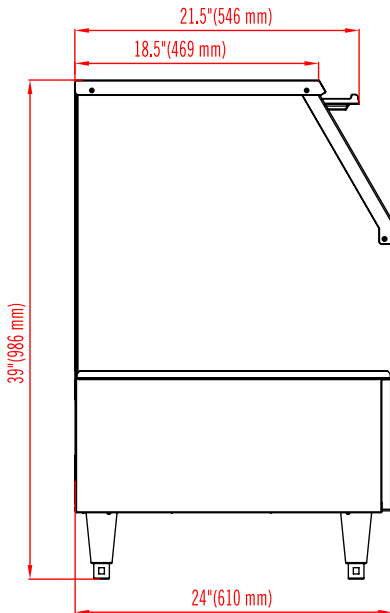
ANGLED VIEW



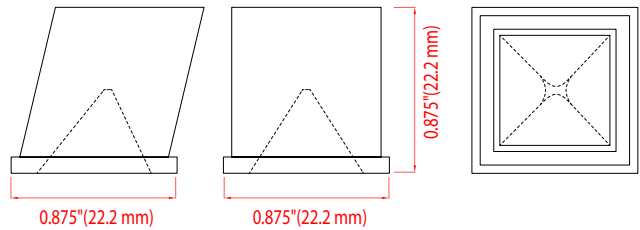
REAR VIEW



SIDE VIEW



FULL DICE CUBE



MODEL	EXTERNAL DIMENSIONS	DAILY ICE PRODUCTION (70°F Air / 50°F Water)	ICE BIN STORAGE CAPACITY	NET WEIGHT / SHIPPING WEIGHT	AMP DRAW (NOMINAL/MAX)	REFRIGERANT AND CHARGE SIZE	ELECTRICAL	SHIPPING DIMENSIONS
LUIM-260	24" x 24" x 38.8"	270lbs	88lbs	144lbs / 160 lbs	7.1A/9.8A	R404A/10.6oz.	115V/60Hz	26 ¹ / ₁₆ " x 26 ³ / ₁₆ " x 35 ⁷ / ₁₆ "

INSTALLATION

- A clearance of 2" from the wall is recommended to promote adequate cooling air circulation
- A gravity drain line is required to install this ice machine
- For optimal performance, the use of a water filter is recommended