



# COUNTERTOP DOUBLE BURNER (HOB) COOKTOP with Apogee™ Controls



## PERFORMANCE

The CookTek® Countertop Double Burner (Hob) Cooktop with Apogee™ Controls is a portable design with stainless steel housing and a glass-ceramic top intended for commercial kitchens and restaurants. An automatic shut-off feature, integral cooling fan, and self-diagnosing microprocessor allow for a safe kitchen environment. Each unit is equipped with 100 power cook and temperature settings to ensure maximum and efficient heating of any induction-compatible pan.\*

Project \_\_\_\_\_

Item No. \_\_\_\_\_

Quantity \_\_\_\_\_

## FEATURES

- Models available in 5,000 (2,500/burner); 6,000 (3,000/burner); 7,000 (3,500/burner) watts
- Portable design with stainless steel housing
- Touch controls with LCD panel
- Easy-to-clean high-temperature glass-ceramic top
- High-quality internal electronics and heavy gauge Litz wire
- Individual controls for each burner (hob) for independent operation and functionality
- Built-in cook timer
- Automatic pan detection allows for instant energy transmission to pan
- Lock feature prevents unwanted setting changes
- Programmed with 100 power cook and temperature settings
- Automatic shut-off feature prohibits overheating
- Integral grease filter and air baffle ensure air intake is cleaner and cooler
- Microprocessor monitors vital components to check for overheating, power supply issues, and more
- Integral fan keeps internal components cool
- Available in 200–240 VAC, single phase
- Includes plug and cord (6 ft. nominal)
- Two-year advanced replacement warranty – U.S. and Canada

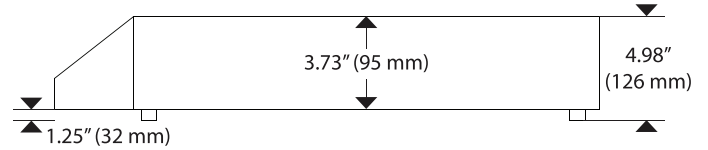
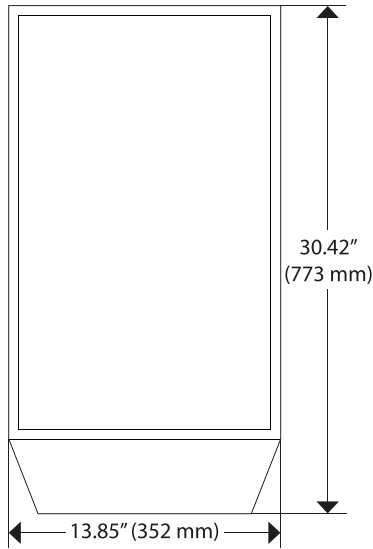
## CERTIFICATIONS



COUNTERTOP DOUBLE BURNER (HOB) COOKTOP

\*Induction cooking requires the use of induction-compatible (i.e. magnetic) cookware.

It is the owner and installer's responsibility to comply with all local codes. CookTek reserves the right to make substitutions of components or change specifications without prior notice.



DIMENSIONS		
Full Unit Height	4.98"	126 mm
Housing Height	3.73"	95 mm
Full Unit Width	13.85"	352 mm
Full Unit Depth	30.42"	773 mm
Weight	31.2 lb.	14.2 kg
Max Ambient Temperature	122°F	50°C
WALL CLEARANCE		
Front	2"	51 mm
Sides	2"	51 mm
Rear	2"	51 mm
SHIPPING INFORMATION		
Packaged Height	12"	305 mm
Packaged Width	18"	457 mm
Packaged Depth	36"	914 mm
Packaged Weight	45 lb.	20.4 kg
Item Class	250 NMFC #26710	

ELECTRICAL SPECIFICATIONS (SINGLE PHASE)			
UNITED STATES/CANADA (per burner)			
MC2502FG	620501	200–240 V, 50/60 Hz, 22 A, 100–2500 W	NEMA 6-30P
MC3002FG	620601	200–240 V, 50/60 Hz, 26 A, 100–3000 W	NEMA 6-50P
MC3502FG	620701	200–240 V, 50/60 Hz, 30 A, 100–3500 W	NEMA 6-50P
UK AND SAUDI ARABIA (per burner)			
MC2502FG	620502	200–240 V, 50/60 Hz, 22 A, 100–2500 W	IEC 309, 32A, 3-pin
MC3002FG	620602	200–240 V, 50/60 Hz, 26 A, 100–3000 W	IEC 309, 32A, 3-pin
MC3502FG	620702	200–240 V, 50/60 Hz, 30 A, 100–3500 W	IEC 309, 32A, 3-pin
INTERNATIONAL (per burner)			
MC2502FG	620503	200–240 V, 50/60 Hz, 22 A, 100–2500 W	IEC 309, 32A, 3-pin
MC3002FG	620603	200–240 V, 50/60 Hz, 26 A, 100–3000 W	IEC 309, 32A, 3-pin
MC3502FG	620703	200–240 V, 50/60 Hz, 30 A, 100–3500 W	IEC 309, 32A, 3-pin
AUSTRALIA (per burner)			
MC2502FG	620504	200–240 V, 50/60 Hz, 22 A, 100–2500 W	56PA332, 32A, 250V
MC3002FG	620604	200–240 V, 50/60 Hz, 26 A, 100–3000 W	56PA332, 32A, 250V
MC3502FG	620704	200–240 V, 50/60 Hz, 30 A, 100–3500 W	56PA332, 32A, 250V
SOUTH AFRICA (per burner)			
MC2502FG	620507	200–240 V, 50/60 Hz, 22 A, 100–2500 W	-
MC3002FG	620607	200–240 V, 50/60 Hz, 26 A, 100–3000 W	IEC 309, 32A, 3-pin
MC3502FG	620707	200–240 V, 50/60 Hz, 30 A, 100–3500 W	IEC 309, 32A, 3-pin
ISRAEL (per burner)			
MC2502FG	620508	200–240 V, 50/60 Hz, 22 A, 100–2500 W	IEC 309, 32A, 3-pin
MC3002FG	620608	200–240 V, 50/60 Hz, 26 A, 100–3000 W	IEC 309, 32A, 3-pin
MC3502FG	620708	200–240 V, 50/60 Hz, 30 A, 100–3500 W	IEC 309, 32A, 3-pin

- NEMA 6-30P
- NEMA 6-50P
- IEC 309, 32A, 3-pin
- 56PA332, 32A, 250V

Dedicated circuit required for each installation.

**Global Operations**  
 2801 Trade Center Drive / Carrollton, Texas 75007 USA  
 US: 800.90TURBO (800.908.8726) / International: +1 214.379.6000  
 Fax: +1 214.379.6073 / www.cooktek.com