

MODEL: _____ PROJECT: _____ ITEM #: _____ QTY: _____

PRODUCT IMAGE



MC24S SHOWN

AVAILABLE IN 24", 36" & 48" SIZES

OPTIONAL ACCESSORIES

- **MC-108** Four 3" Casters with brakes

STANDARD FEATURES

- **Electrical**
115 V, 1 Phase, 60 Hz. Furnished with 8'-0" plug-in cord. NEMA 5-15P Plug Configuration. Dedicated 15 Amp circuit recommended
- **Refrigeration**
1/3 HP, 404 refrigerant
- **Running Load (Amps)**
24" Unit: 5.2 Amps
36" Unit: 5.3 Amps
48" Unit: 5.5 Amps
- **Operating Range**
-5°F to 10°F
- **Plumbing**
No drain connection required
Condensate evaporates automatically
- **Insulation**
2" thick foamed-in-place polyurethane
- **Mug Capacity (10 oz.)**
24" Unit: 95
36" Unit: 165
48" Unit: 240
- All stainless interior with coved corners
- Self-contained refrigeration
- Available with black vinyl or stainless steel exterior
- -5°F to 5°F temperature range with digital thermostat set to 0°F
- Automatic defrost timer every 4 hours (Pushbutton manual mode also available)
- Floor rack and two levels of shelves
- Heavy-duty doors
- Easy to service
- 5 year compressor warranty
- **IMPORTANT NOTE:**
DO NOT PLUG INTO GFI OUTLET

** This equipment is not intended for storage or display of food or beverages **



CERTIFICATIONS:

APPROVED BY:

Due to our commitment to continued product improvement, specifications are subject to change without notice.

Printed in the USA

Krowne Metal Corporation

100 Haul Rd. Wayne, NJ 07470 • Toll Free: (800) 631-0442 • Fax: (973) 872-1129
 sales@krowne.com • www.krowne.com • www.facebook.com/KrowneMetal • www.twitter.com/KrowneMetal

Rev. 12/2012
No. 1.7

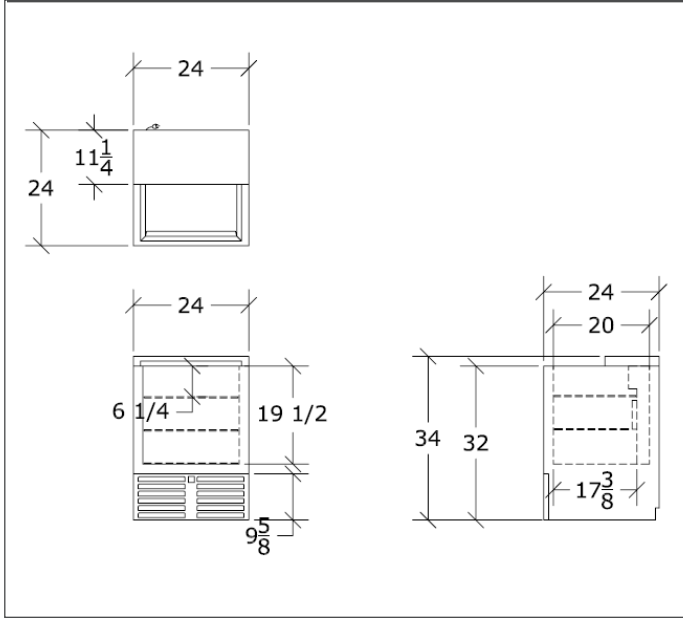
A City Discount

REFRIGERATION

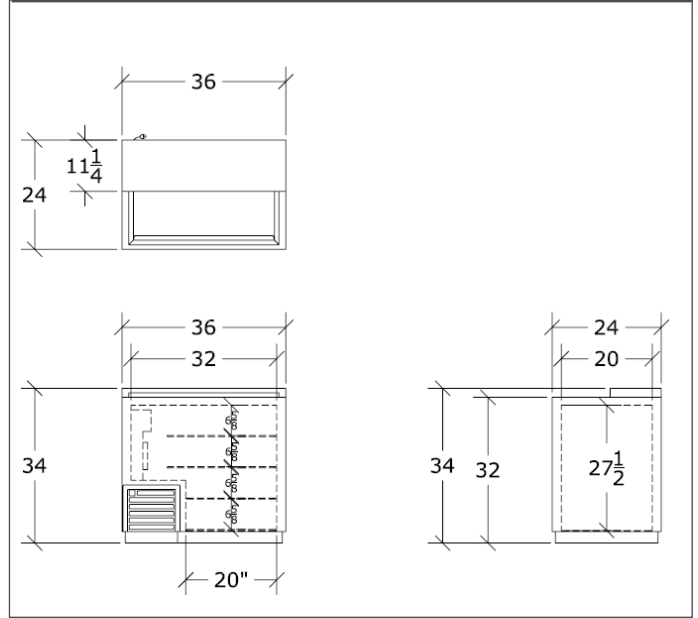
SLIDE TOP MUG FROSTERS

MODEL: _____ PROJECT: _____ ITEM #: _____ QTY: _____

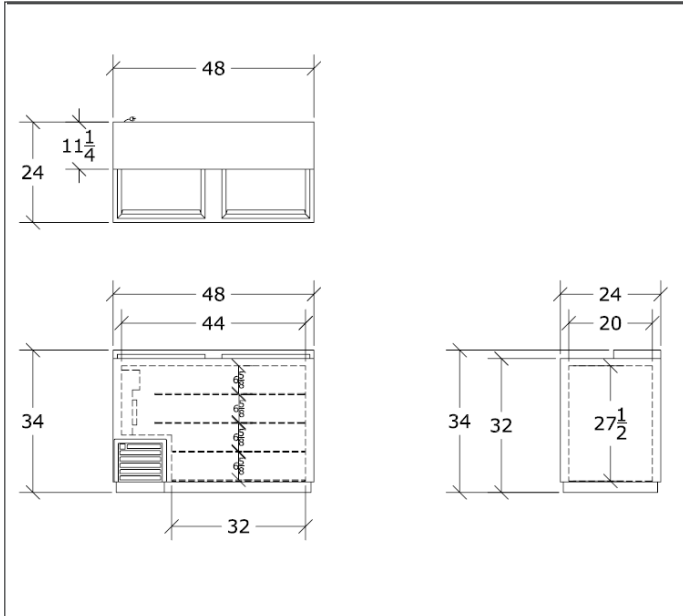
24" MODEL



36" MODEL



48" MODEL



Model Numbers	Overall Length	Exterior Finish	Doors	Layers	Mug Capacity (10 oz.)	Weight (lbs.)
MC24B	2'-0"	Black Vinyl	1	2	95	160
MC36B	3'-0"	Black Vinyl	1	2*	165	200
MC48B	4'-0"	Black Vinyl	2	2*	240	260
MC24S	2'-0"	Stainless Steel	1	2	95	160
MC36S	3'-0"	Stainless Steel	1	2*	165	200
MC48S	4'-0"	Stainless Steel	2	2*	240	260

NOTE: Units come standard with 2 layers of shelves.
Optional third level available for 36" and 48" models

Castors: Add 3" to overall height



APPROVED BY:

CERTIFICATIONS:

Due to our commitment to continued product improvement, specifications are subject to change without notice.

Printed in the USA

Krowne Metal Corporation

100 Haul Rd. Wayne, NJ 07470 • Toll Free: (800) 631-0442 • Fax: (973) 872-1129

sales@krowne.com • www.krowne.com • www.facebook.com/KrowneMetal • www.twitter.com/KrowneMetal

Rev. 12/2012
No. 1.7

A City Discount