



Project _____

Item # _____

Quantity _____

Multi Contact Grill

Models: MCG10G, MCG14G, MCG20G

Hatco Corporation introduces a new addition to our light cooking line of equipment that gives you the flexibility to grill paninis, sandwiches with breads of different sizes and thickness, snacks, vegetables, meats, quesadillas, fish, and hamburgers, to name a few, all on the same piece of equipment!

Standard features

- Patented Heating Element Pack provides exceptional heat distribution over the entire surface of the plates for even, uniform cooking
- Easy Clean System® for quick, efficient cleaning.
- Thermostatic control from 120°F to 570°F (50°C to 300°C) for precision cooking
- Dishwasher safe enamel coated cast iron Grooved Top and Bottom Plate are standard
- Grooved Plates are interchangeable with the Smooth Plates
- 6' (1829 mm) cord with plug attached
- Cord location is under base at center of unit
- Stainless Steel frame
- Removable drip tray with handles



Accessories

- Smooth Top Enamel Coated Cast Iron Cooking Plate
 - ST-S for MCG10G ST-M for MCG14G
 - ST-LL for MCG20G Left Side ST-LR for MCG20G Right Side
- Smooth Bottom Enamel Coated Cast Iron Cooking Plate
 - SB-S for MCG10G SB-M for MCG14G
 - SB-L for MCG20G



HATCO CORPORATION | P.O. Box 340500 Milwaukee, WI 53234-0500 U.S.A. | (800) 558-0607 | (414) 671-6350

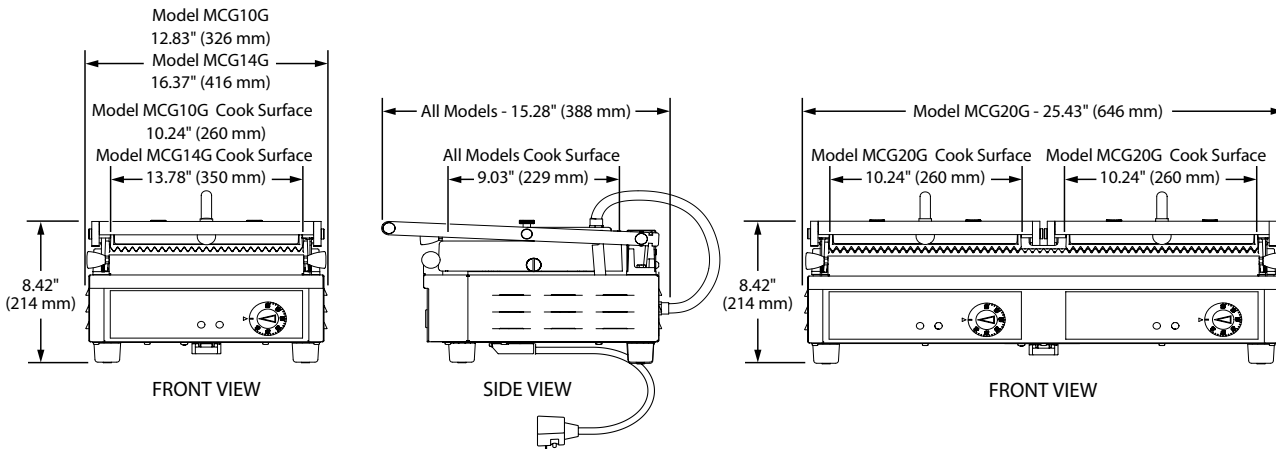
Fax: (800) 543-7521 | Int'l. Fax: (414) 671-3976 | www.hatcocorp.com | email: equipsales@hatcocorp.com



Multi Contact Grill

Models: MCG10G, MCG14G, MCG20G

MCG Models



SPECIFICATIONS Multi Contact Grill

Model	Dimensions (W x D x H)	Max. Product Thickness	Volts	Phase	Watts	Amps	Plug	Ship Weight*
MCG10G	12.83" x 15.28" x 8.42" (326 x 388 x 214 mm)	2.38" (60 mm)	120	Single	1800	15.0	NEMA 5-15P [☆]	47 lbs. (21 kg)
MCG14G	16.37" x 15.28" x 8.42" (416 x 388 x 214 mm)	2.75" (70 mm)	120	Single	1800	15.0	NEMA 5-15P [☆]	62 lbs. (28 kg)
			208▼		1950	9.4		NEMA 6-15P
			240▼		2600	10.8	62 lbs. (28 kg)	
MCG20G	25.43" x 15.28" x 8.42" (646 x 388 x 214 mm)	2.38" (60 mm)	208▼	Single	2820	13.6	NEMA 6-20P	93 lbs. (42 kg)
			240▼		3760	15.7		93 lbs. (42 kg)

*Shipping weight includes packaging.

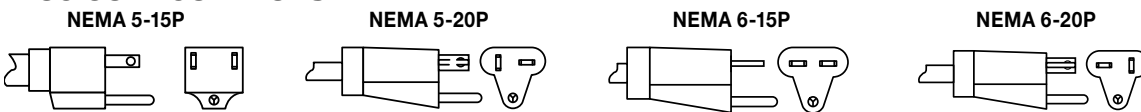
[☆] Canada models use NEMA 5-20P.

▼ Unit is designed to operate on supply voltages between 208V and 240V.

CORD LOCATION

Under base at center of unit.

PLUG CONFIGURATIONS



PRODUCT SPECS

Multi Contact Grill

The Multi Contact Grill shall be a Model ... as distributed by the Hatco Corporation, Milwaukee, WI 53234 U.S.A.

The Multi Contact Grill shall be rated at ... watts, ... volts, and ... inches (millimeters) in overall width. It shall have a grooved top and bottom enamel coated cast iron cooking plate, thermostatically-controlled with a temperature indicator light and power light, patented Heating Element Pack for even heat distribution, removable drip tray with handles, Easy Clean System® and a 6' (1829 mm) cord with plug attached.

Accessories shall include smooth top and bottom enamel coated cast iron cooking plate for each unit size.

One year on-site parts and labor warranty with 24/7 technical assistance in the US and Canada only.

HATCO CORPORATION | P.O. Box 340500 Milwaukee, WI 53234-0500 U.S.A. | (800) 558-0607 | (414) 671-6350

Fax: (800) 543-7521 | Int'l. Fax: (414) 671-3976 | www.hatcocorp.com | email: equipsales@hatcocorp.com