



**Model MD18-1
Model MD18-2**
Automatic
Glasswashing Machine

The Moyer Diebel MD18 Series glasswashers provide high volume, top quality performance in a compact, single unit.

Three pump injection system

- Injector system allows the use of separate sanitizer and rinse aid resulting in real savings.
- Precisely calibrated pumps inject just the right amount of chemical each time – no guesswork – no waste.

Upper and lower wash and rinse arms produce sparkling clean glasses every time.

One or two door models available.

Ultra high efficiency wash pump for superior cleaning.

Thermostatically controlled wash tank heater maintains required wash water temperature.

Heavy-duty stainless steel construction.

30 racks per hour.

Pumped drain permits use of drain connections above the floor.

Two 16" [406mm] square racks provided.

One year parts and labor warranty.



Model MD18-1

Moyer Diebel
P.O. Box 4183
Winston-Salem, NC 27115
Tel: 336/661-1992
Fax: 336/661-1979
www.moyerusa.com

Moyer Diebel Ltd.
2674 North Service Rd.
Jordan Station, Ontario
Canada L0R 1S0
Tel: 905/562-4195
Fax: 905/562-4618



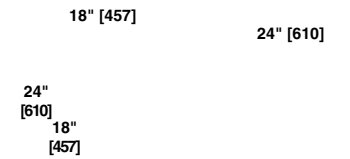
MD18 Series

Automatic



RS18-24

18" [457] rack stand with 24" [610] high drain board top for rack storage

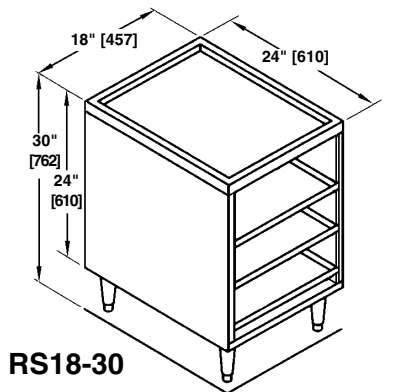


RS18-24



RS18-30

18" [457] rack stand with 30" [762] high drain board top for rack storage

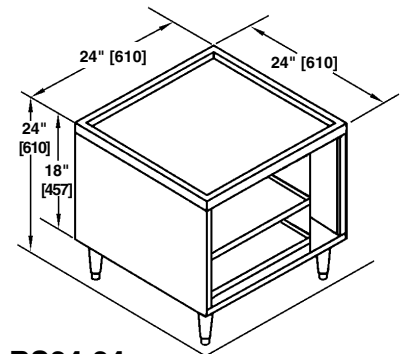


RS18-30



RS24-24

24" [610] rack stand with 24" [610] high drain board top for rack and chemical storage



RS24-24

Options & Accessories

RS18-24: 18" [457] rack stand w/24" [610] high drain board

RS18-30: 18" [457] rack stand w/30" [762] high drain board

RS24-24: 24" [610] rack stand w/24" [610] high drain board top for rack and chemical storage

CS7-20: Chemical stand 20" [508] D x 7" [178] W

P/N 0709242: Cycle counter

P/N 0709241: Remote cycle switch

Racks: Peg, Flat, Glass



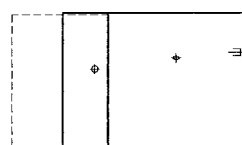
MD18-2
Side to side
operation

MD18-2
Front to back
operation

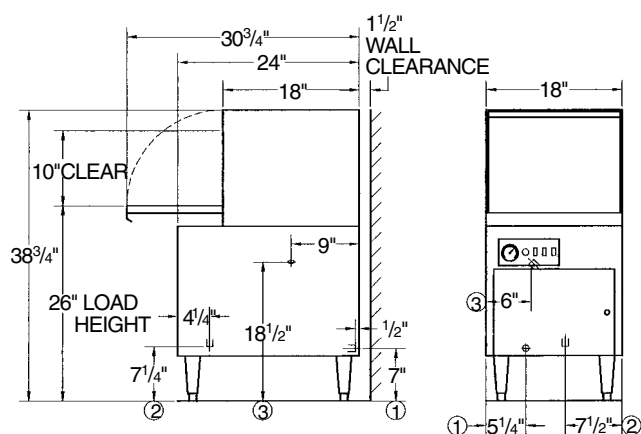
STANDARD

MD18-1H
is available with 13" door clearance
overall height 41 3/4"

MD18-1



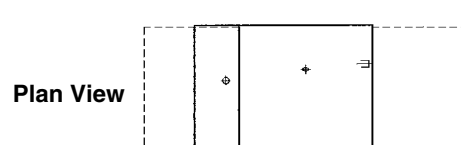
Plan View



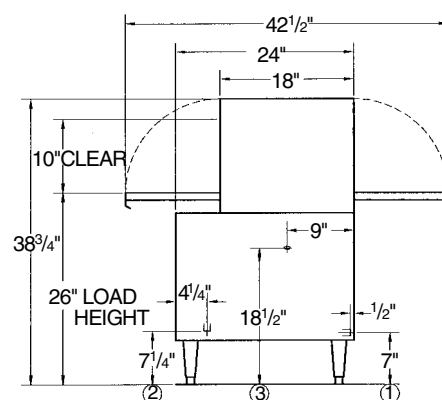
Side View

Front View

MD18-2 Front - Rear Door

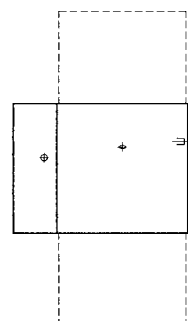


Plan View

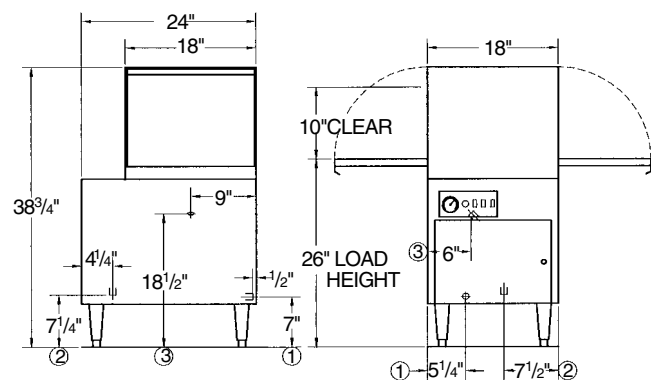


Side View

MD18-2 Side - Side Door



Plan View



Side View

Front View

Warning: Plumbing and electrical connections should be made by a qualified workman who will observe all the applicable plumbing, sanitary and safety codes.

Due to an ongoing value analysis program at Moyer Diebel, specifications in this catalog are subject to change without notice.

Dimensions shown in inches.

Quick Facts

Capacity	Racks per hour	30
Water Consumption	Gal. per hr., US gal (imp.gal)	40 (34)
	Gal. per rack, US gal (imp.gal)	1.5 (1.25)
*Temperatures	Wash	140°F
	Rinse	140°F
Heating	Tank heat, electric (kw)	.75
	* Supply water temperature 140°F	

Utilities

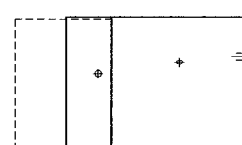
1	*Electrical: 115/60/1 - 15 amp, 9 amp draw
2	Hot water connection: 1/2" NPT hot water Flow pressure 25-95 psi
3	Drain connection: 5/8" flexible hose Max flow rate 18 US gpm (15 imp.gpm)

***NOTE:** Models MD18-1 and MD18-2 are supplied with 5 ft. cord and plug

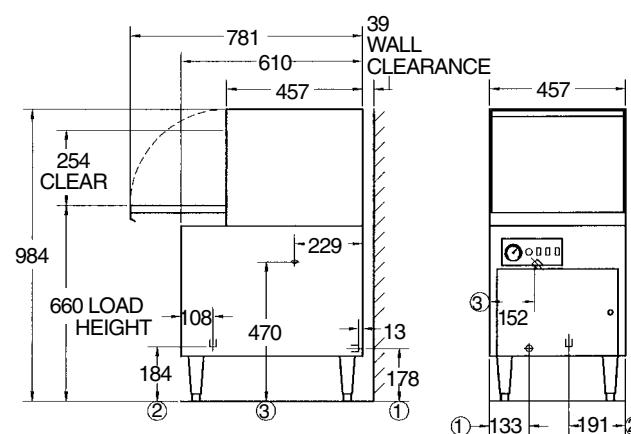
METRIC

MD18-1H
is available with 330mm door
clearance overall height 1061mm

MD18-1



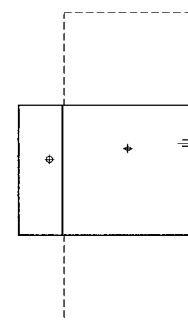
Plan View



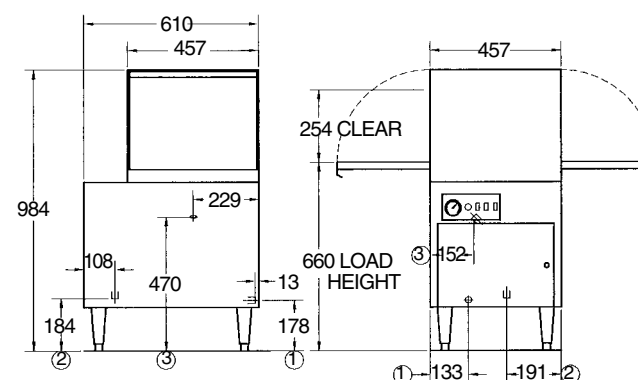
Side View

Front View

MD18-2 Side - Side Door



Plan View



Side View

Front View

Warning: Plumbing and electrical connections should be made by a qualified workman who will observe all the applicable plumbing, sanitary and safety codes.

Due to an ongoing value analysis program at Moyer Diebel, specifications in this catalog are subject to change without notice.

Dimensions shown in millimeters.

Quick Facts

Capacity	Racks per hour	30
Water Consumption	Liters per hour	151
	Liters per Rack	5.7
*Temperatures	Wash	60°C
	Rinse	60°C
Heating	Tank heat, electric (Kw)	.75
	* Supply water temperature 60°C	

Utilities

1	*Electrical: 115/60/1 - 15 amp, 9 amp draw
2	Hot water connection: 1/2" NPT hot water Flow pressure 173-655 kPa
3	Drain connection: 5/8" flexible hose Max flow rate 68 Lpm

***NOTE:** Models MD18-1 and MD18-2 are supplied with 1524mm. cord and plug